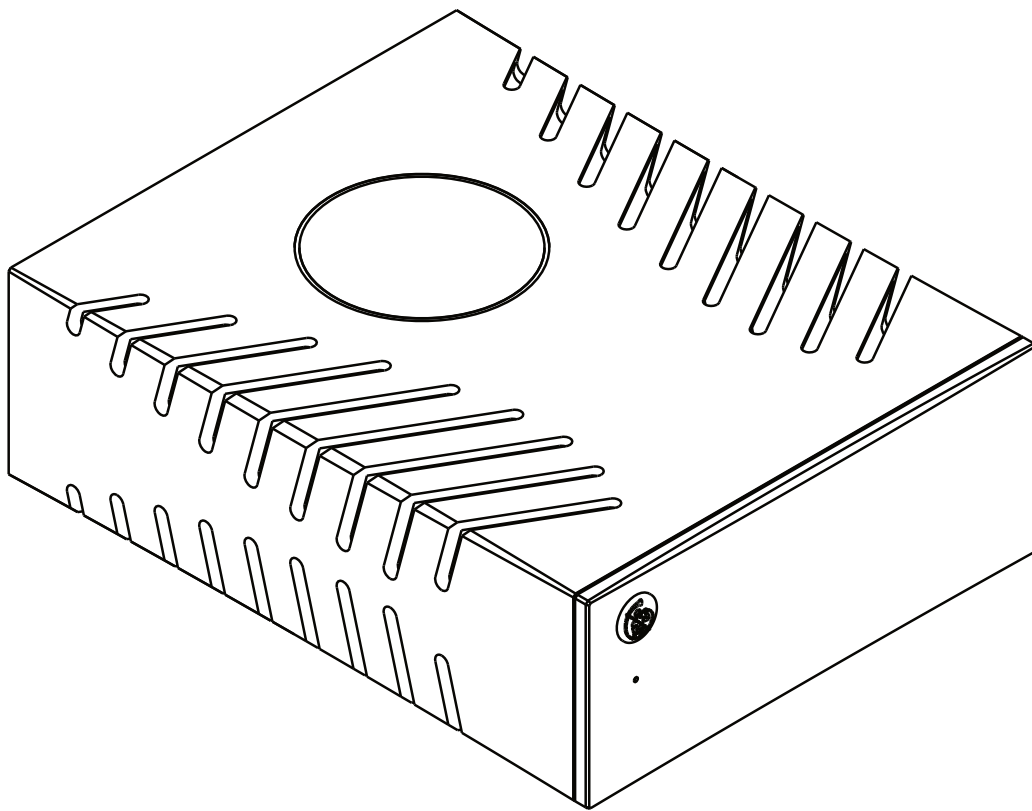


# GOLD NOTE

Italian Music Experience



## PSU-10

External Power Supply for PH-10

OWNER'S MANUAL

# IMPORTANT SAFETY INFORMATION



## WARNING



**TO PREVENT FIRE OR SHOCK HAZARD, DO NOT EXPOSE THIS APPLIANCE TO RAIN OR MOISTURE**



**CAUTION**  
RISK OF ELECTRIC SHOCK  
DO NOT OPEN



### CAUTION!

TO REDUCE THE RISK OF ELECTRIC SHOCK, DO NOT REMOVE COVER (OR BACK). NO USER-SERVICEABLE PARTS INSIDE. REFER ONLY TO QUALIFIED GOLD NOTE SERVICE PERSONNEL FOR SERVICE

Do not disassemble any part of the product.

Do not use any part of the product for other purposes.

For service and problems of any kind, contact qualified Gold Note personnel.

Protect the product from rain and humidity and keep away from heat sources, electric and electronic motors etc.

The power Chord supplied must be used only on this unit.

Gold Note does not have responsibility for any improper use of this unit.

This appliance has a serial number located on the rear panel.

Please record the model and serial number and retain them for your records.

Serial Number: \_\_\_\_\_

Model: \_\_\_\_\_

# IMPORTANT SAFETY INFORMATION

- 1** Read these instructions and store them.
- 2** Heed all warnings.
- 3** Follow the instructions.
- 4** Do not use this apparatus near water.
- 5** Clean only with a dry cloth.
- 6** Do not block the ventilation openings and install in accordance with the manufacturer's instructions.
- 7** Do not install near heat sources such as radiators, heat registers, stoves or other apparatus (including amplifiers) that produce heat.
- 8** Do not defeat the safety purpose of the polarized or grounding-type plug: a polarized plug has two blades with one wider than the other.

A grounding type plug has two blades and a third grounding prong.

The wide blade or the third prong are provided for your safety.

If the provided plug does not fit into your outlet, consult an electrician for replacement of the obsolete outlet.

**9** Protect the power cord from being walked on or pinched particularly at plugs, convenience receptacles, and the point where they exit from the apparatus.

**10** Only use attachments/accessories specified by the manufacturer.

**11** Use only with the cart, stand, tripod, bracket, or table specified by the manufacturer, or sold with the apparatus.

When a cart is used, use caution when moving the cart/apparatus combination to avoid injury from tip-over.

**12** Unplug this apparatus during lightning storms or when unused for long periods of time.

**13** Refer all servicing to qualified service personnel only.

Servicing is required when the apparatus has been damaged in any way (such as when the power cord or plug is damaged, liquid has been spilled or objects have fallen into the apparatus, the apparatus has been exposed to rain or moisture) and in any case when the apparatus does not operate normally or has been dropped.

- 
- Do not expose this apparatus to drips or splashes.
  - Do not place any objects filled with liquids, such as vases, on the apparatus.
  - Do not install this apparatus in a confined space such as a book case or similar unit.
  - The apparatus draws nominal non-operating power from the AC outlet with its POWER or STANDBY/ON switch not in the ON position.
  - The apparatus should be located close enough to the AC outlet so that you can easily grasp the power cord plug at any time.
  - The main plug is used as the disconnect device, the disconnect device shall remain readily operable.
  - If the product uses batteries (including a battery pack or installed batteries), they should not be exposed to sunshine, fire or excessive heat.
  - Caution should be taken when using earphones or headphones with the product because excessive sound pressure (volume) from earphones or headphones can cause hearing loss.

# DESCRIPTION & SPECIFICATIONS

The PSU-10 is a super inductive & chokes power supply designed exclusively for the PH-10 phono stage.

PSU-10 has been engineered with the best quality audio-grade components to enhance the performance of PH-10 and improve even further your system: with the dedicated external power supply you will get the very best music experience out of your LPs.

For PSU-10 we have chosen a dual choke design powered by a double inductor driving the negative and positive high current stages and featuring an inductive filter on the analogue stage.

The PSU-10 can deliver high quality power using 4 transformers 3 of which are dedicated exclusively to the pure power supply and with 1 separated transformer dedicated to the inductive filter and the two chokes.

The Gold Note proprietary *Dual Chokes Design* perfectly filters the signal voltages in order to eliminate all the possible electrical pollution coming from the AC power system.

The PSU-10 uses its massive power supply to shield the PH-10 phono stage from electro-magnetic interferences thus insulating it effectively from the AC power system.

The large, ultra-clean power enhances super low noise, greater dynamic, better resolution and finer details for a more realistic high-end audio performance and pure audio pleasure.

---

## MAIN FEATURES

Four rail audio grade power supply  
Four ultra low noise voltage regulator  
+12V, +5V for logic  
+/- 14V for analog with inductive noise remover  
Line regulation for all output 0,05 %/V  
Load regulation for all output 0,05 %/Vu  
Line noise rejection >80dB  
Common mode noise rejection >80dB  
Full power response time <2,5usec

## POWER

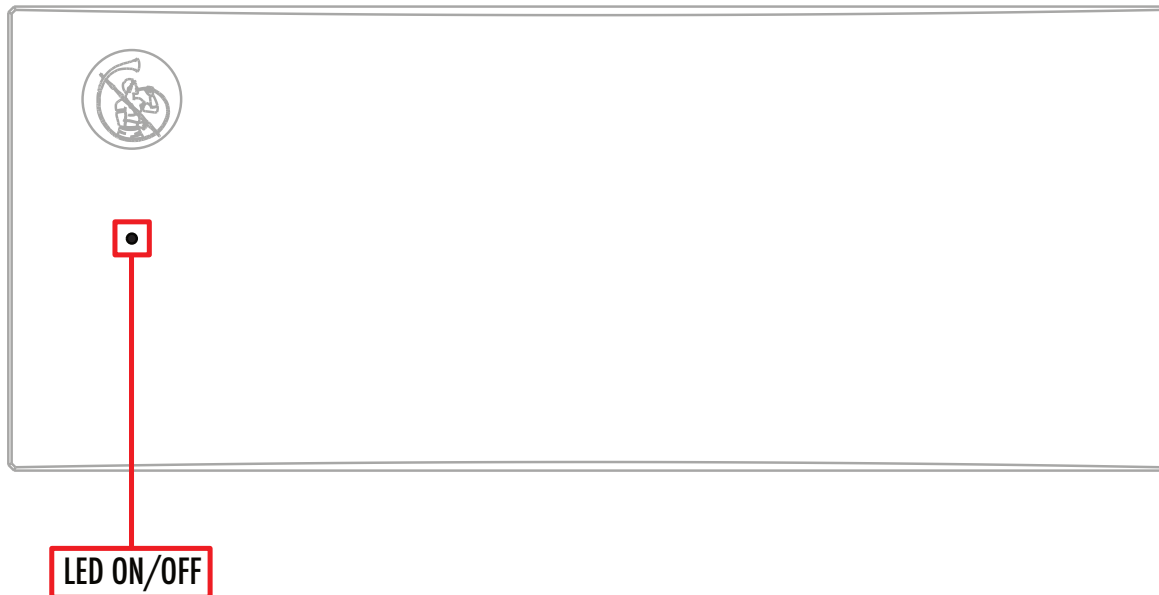
Mains supply: 100/120V & 220/240V with automatic selection, 50/60Hz  
Nominal power: 25W  
Dynamic power: >50W  
Stand by power: <1W

## DIMENSIONS & WEIGHT

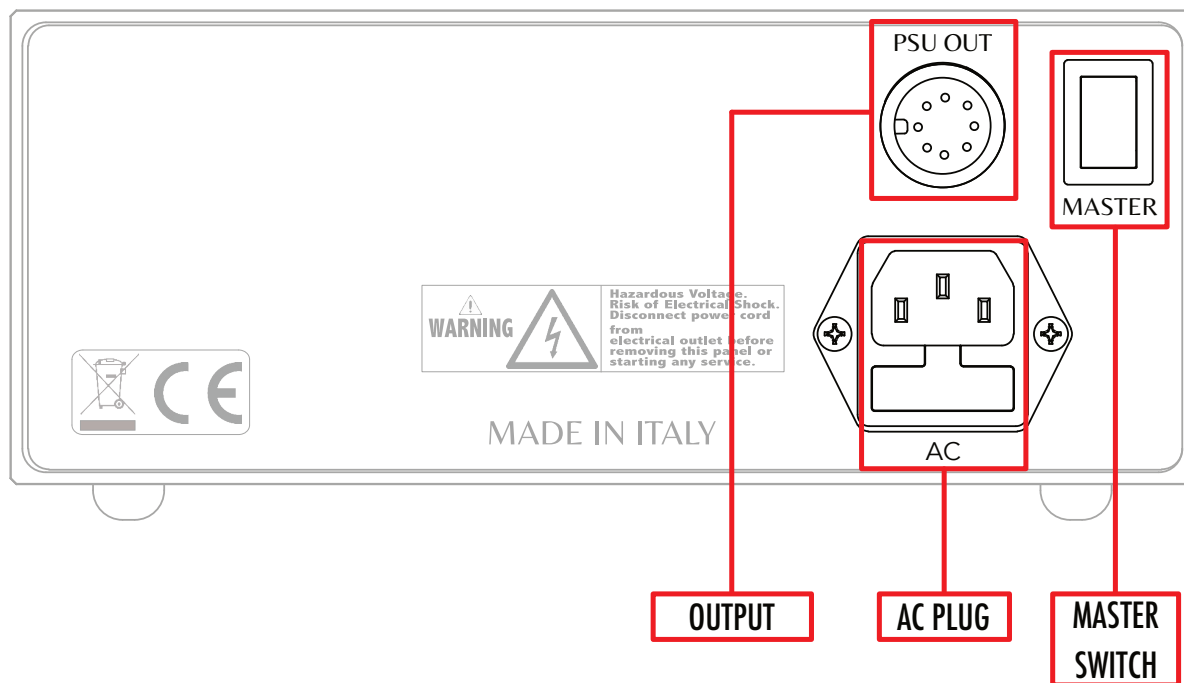
220mm L | 80mm A | 260mm  
5 Kg

# FRONT & REAR PANEL

## FRONT PANEL OVERVIEW



## REAR PANEL OVERVIEW



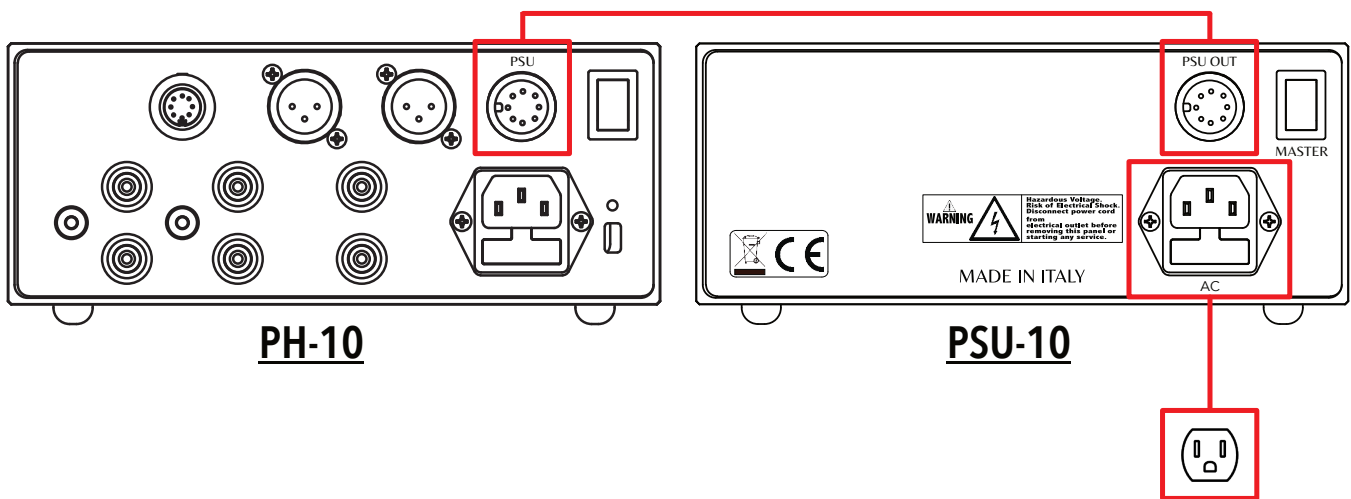
### PLEASE NOTE

The **LED** is always **ON** when the PSU-10 is connected to the **AC** and the **MASTER SWITCH** is **ON**.

# QUICK START

Installing the PSU-10 is simple and takes only a few simple steps:

- 1** - Turn **OFF** the **MASTER SWITCH** on the PH-10 and **remove the AC power cord**
- 2** - Connect the PSU-10 to the AC power outlet using the supplied power cord
- 3** - Connect the PSU-10 to the PH-10 using the supplied cable (from **PSU OUT** on PSU-10 to the **PSU** port on PH-10)
- 4** - Turn on the **MASTER SWITCH** on the rear panel of the **PSU-10** and then on **PH-10**



## **IMPORTANT!**

In order to use the PSU-10 you will need to update the firmware of your PH-10.

For more information and to download the new firmware please visit: [www.goldnote.it/download](http://www.goldnote.it/download)

PSU-10 is designed to work in "slave mode" with PH-10 so you only need to turn the MASTER SWITCH ON and the PSU-10 will be controlled by PH-10.

Every time PH-10 goes into STANDBY (the unit is OFF with the LED ON) the PSU-10 will do the same and you don't need to turn the MASTER SWITCH OFF.

If you need to turn OFF the MASTER SWITCH of the PSU-10: **1** - turn OFF the MASTER SWITCH on PH-10

**2** - turn OFF the MASTER SWITCH on PSU-10

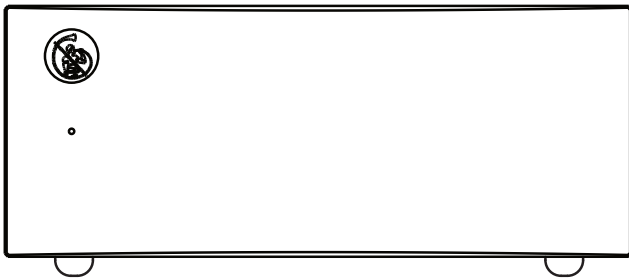
## CORRECT PLACEMENT OF PSU-10

To achieve the best performance DON'T place the PSU-10 on TOP of the PH-10.

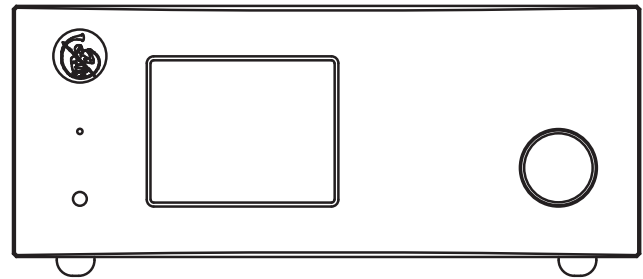
The correct placement of the PSU-10 is on the LEFT SIDE of PH-10 and at a reasonable distance.

Avoid placing the PSU-10 too close to the PH-10 if possible.

### PSU-10 on the LEFT HAND SIDE



### PH-10 on the RIGHT HAND SIDE



## TROUBLESHOOTING

PROBLEM	CAUSE	SOLUTION
the LED on the front panel is OFF	the POWER CORD is damaged or not plugged in	ensure that the POWER CORD is not damaged and connect it properly to the power outlet and the AC plug on PSU-10
	the MASTER SWITCH is OFF	turn ON the MASTER SWITCH on the rear panel of PSU-10
the PH-10 is not showing the icon that indicates the PSU-10 is connected	the PSU CONNECTION CABLE not plugged in	ensure that the PSU CONNECTION CABLE is not damaged and connect it properly to the PSU OUT port on the PSU-10 and to the PSU port on the PH-10
the PH-10 is noisy	the PSU-10 is not correctly placed	ensure that the PSU-10 is placed on the LEFT HAND SIDE of the PH-10 (possibly with some distance)



# **GOLDNOTE**

Italian Music Experience

**[www.goldnote.it](http://www.goldnote.it)**