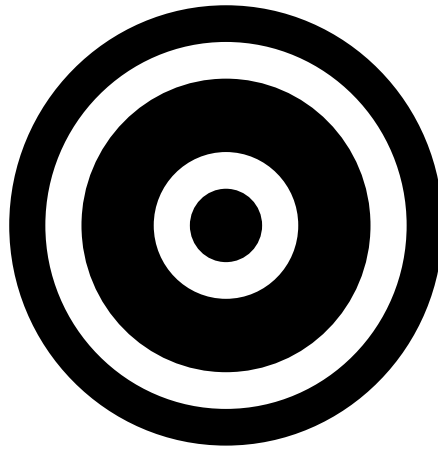
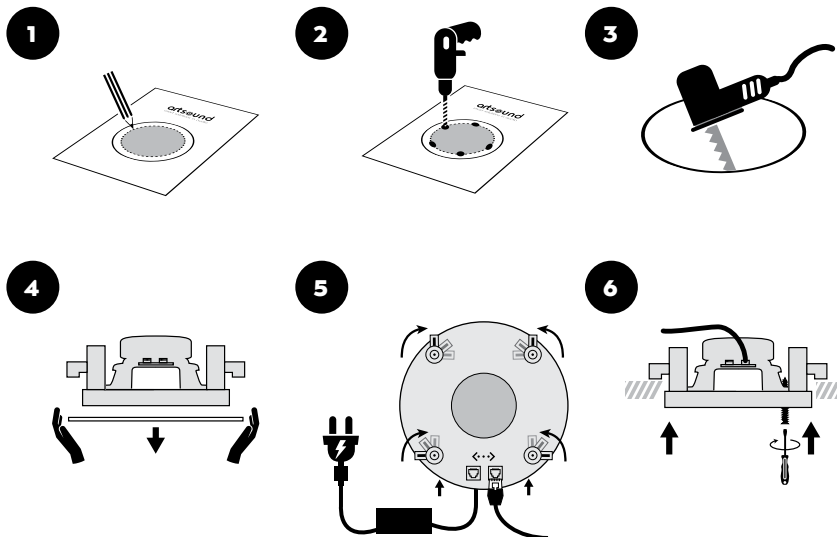


MANUAL



ARTCORE BY ARTSOUND

Congratulations with the purchase of your Artcore loudspeaker as part of the Artcore music system. A musical ecosystem that allows you to either connect your Core loudspeakers by use of cables or wirelessly. This way you effortlessly create a multi-room system, using the Artcore app to control it. This app offers alarm clock functions, applications that match your (family) situation and streaming services like Tidal, V-tuner, Spotify-connect and similar. In short, integration is central in Artcore: in terms of the loudspeakers, latest technologies and your personal situation alike. If you have any questions about these products, the installation or control, please contact your Artcore installer or dealer, or visit the website <https://artsound.be/artcore>



- Use a jigsaw to saw an installation opening, in accordance with the manual, or by use of the installation template. This way you will create a nice, round, square or rectangle installation opening, depending on the type of loudspeaker. **1 + 2 + 3**
- Now take the built-in loudspeaker. The grille can easily be removed by pulling it. It is only held by a magnet. **4**
- Now pull the clamps back towards the end and turn all of them inwards. **5**
- Ensure supply voltage by connecting the included adapter to the loudspeaker, in option also an ethernet cable. **5**
- Insert the built-in loudspeaker into the created installation opening. Tighten the screws.
- If you want to take the loudspeaker out, or paint the grille, you should first remove the grille. You can do this by simply pulling it. It is held only by a magnet. **6**

INSTALLATION & CONNECTION

Comment

Connecting the loudspeakers via an ethernet cable ensures a faster and more stable, assured network connection. It is possible to connect some of the loudspeakers via Ethernet and others wirelessly.

SAFETY INSTRUCTIONS

CHECK THE MAINS VOLTAGE BEFORE USE

The CORE130/140/150/160 loudspeakers use 100-240 Volt, 50/60 Hz alternating current, if the included DC adapter is being used. Connecting to other mains than what your product is intended for, may be hazardous, cause fire or damage the device. If you have any questions concerning the correct mains voltage in your country, please contact your installer/dealer before connecting the device to the socket.

THE POWER SUPPLY CASING

In order to prevent fire or electric shock, you should not expose this device to rain or moisture or open the casing. Do not attempt to repair the device's parts yourself, but leave all repair to expert service personnel.

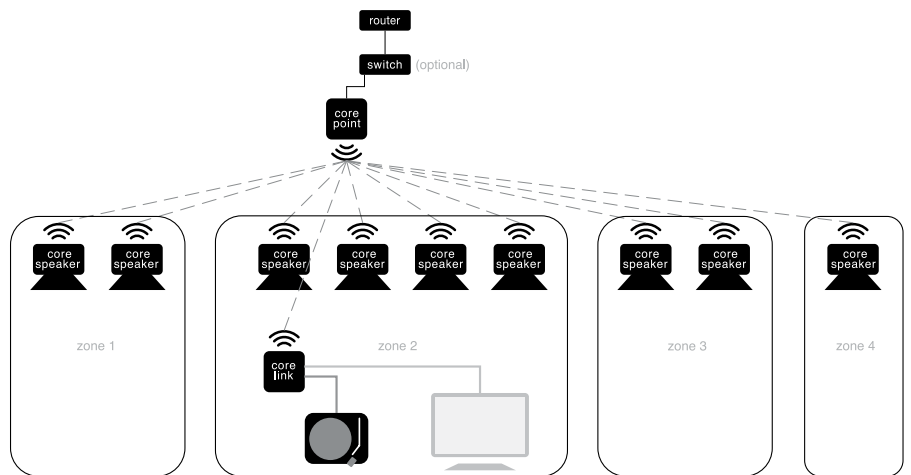
PACKAGE CONTENTS

- 1x Manual
- 1x Installation template
- 1x Loudspeaker and power supply

7

WIRELESS

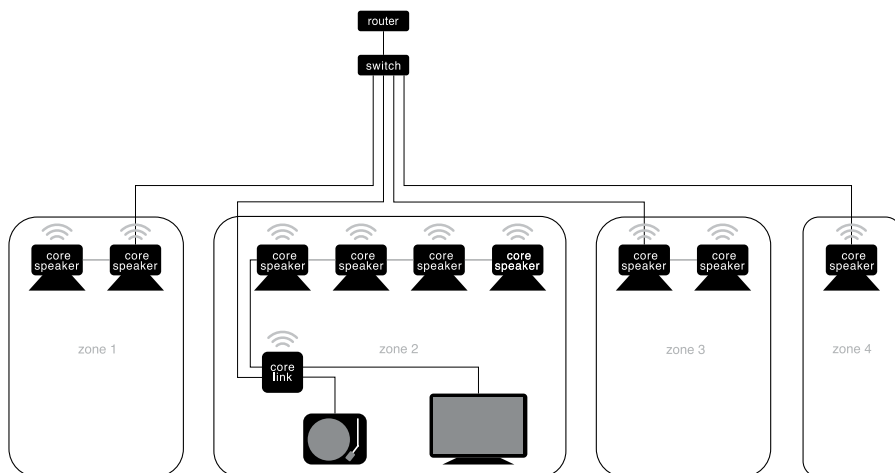
- Connect the COREPOINT to the home network using the included UTP cable.
- Provide the COREPOINT with supply voltage by means of the included power adapter.



8

WIRED

- Insert an ethernet cable into one of the ethernet ports on the loudspeaker. Connecting to an additional loudspeaker can be done by use of the second ethernet port.



artsound
smart solutions in audio

House of Music nv, Schoonboeke 10 - 9600 Ronse, Belgium
www.artsound.be

Designed in Europe - Made in China

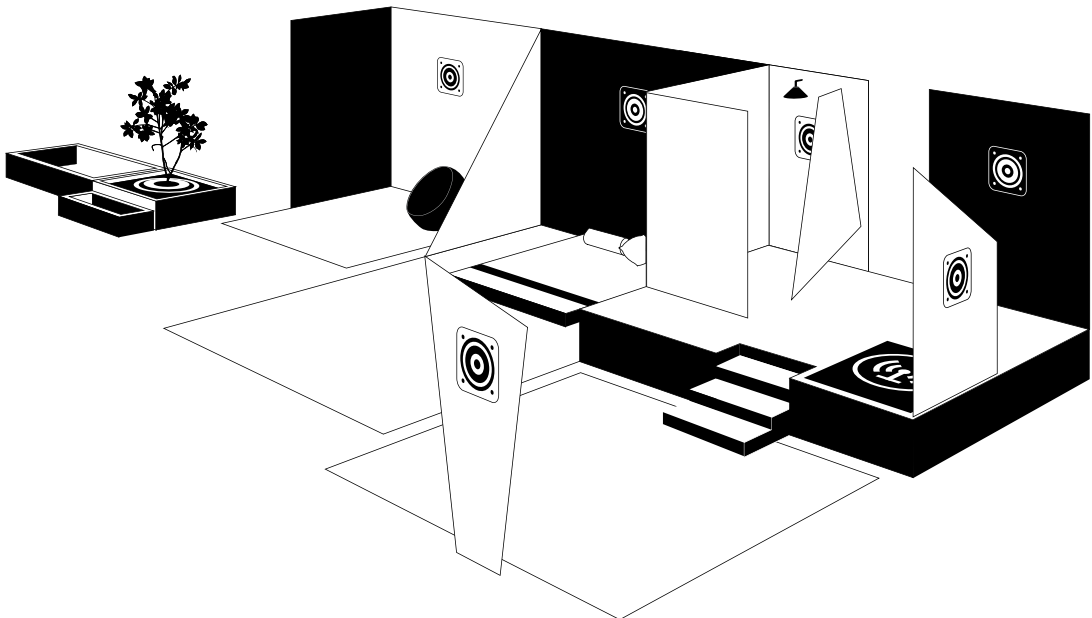


www.artsound.be [f](#) Artsound.Audio [i](#) artsoundaudio

MANUAL



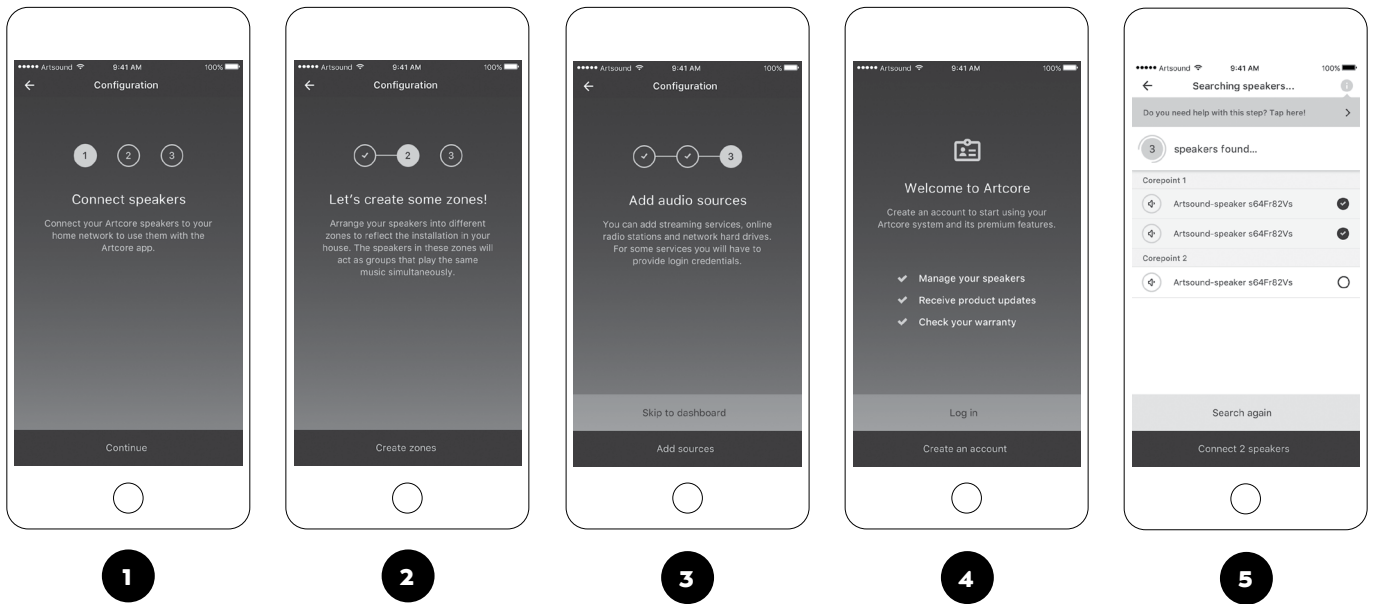
ARTCORE BY ARTSOUND



DOWNLOAD
YOUR FREE APP



CORE **160**



LOUDSPEAKER SET-UP

Before starting, you should download the Artcore app for iOS or Android. This app is available in the iOS App Store as well as in Google Play Store. This app is used to install and configure the loudspeaker and obvious to submit your favourite music to wherever you want it to!

Connecting your loudspeaker to the network.

Please check whether your telephone or tablet is connected to the same network as the COREPOINT and/or the loudspeakers. When opening the Artcore app for the first time, you will be welcomed by a tutorial that briefly explains the possibilities, followed by a request to register on the basis of your email address. From there, you will be guided through the installation process, step by step, whereby Artcore will be able to find the loudspeakers of other devices for you, in the network.

Image: 1 + 2 + 3 + 4 + 5

Each loudspeaker can be set either as mono or as an L or R channel of a stereo pair. The setting can be changed at any time.

After the loudspeakers have been allocated to the zones of your choice, you end up in the overview screen. From there you can always select:

- Zones
- Music
- Search
- Alarms
- Settings

This navigation bar at the bottom of the screen will show in the app every time.

Image: 6

OVERVIEW FUNCTIONS

ZONES

Image: 7


The general 'dashboard' provides an overview of the different zones, what is happening in which zones, as well as an easy pause/play functionality. The order of appearance of the zones can be changed by use of 'drag & drop', allowing you to always show your favourite zone on top. Zones can be grouped by clicking the icon  in the left top corner and subsequently indicate the qualifying zones. Of course, grouped zones can be removed from a group at any time.

Image: 8 + 9

When clicking a zone, the 'player' screen is shown, displaying further details concerning the content of the music that is being played. Here, one can also easily scroll within the song being played.

Image: 10

MUSIC

Image: 11

Basically, the following sources are supported by Artcore:

- vTuner (internet radio)
- Tidal
- NAS support (network storage with uPnP services)
- Spotify Connect
- Airplay

Under settings you can fill in the log-in details of the paid music service one-time.

Tidal will be completely integrated in the Artcore app, so that leaving the app is not required.

Spotify connect allows finding the created zones via 'available devices' and, as such, submit music.

In addition, it is possible to manage your own favourites, which will appear as a tab under 'Music'. This could be your favourite internet radio station, but also a Tidal playlist.

SEARCHING

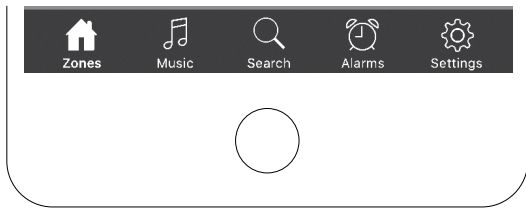
Image: 12

Via the tab 'Search', you can search specifically by song, album, artist or radio station. The menu on top shows which parameter is being used while searching, whereas searching itself is done across all possible music sources.

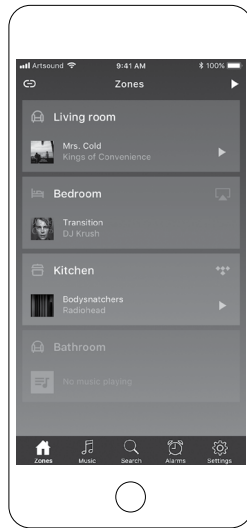
ALARMS

Image: 13 + 14

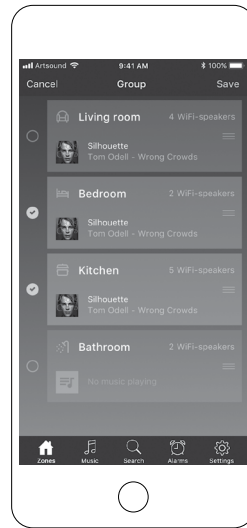
The Artcore multi-room concept is fitted with a built-in extensive event planner. Each event will be given a name, start and end time, whilst also it is shown in which zone the selected music is being played, etc.



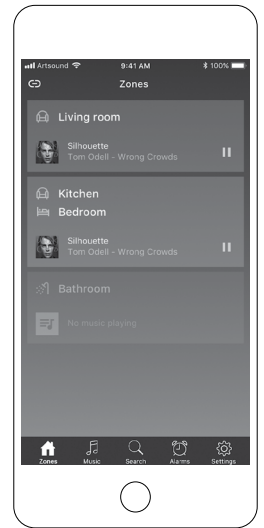
6



7



8



9

10

SETTINGS

Image: 15

Zones

Here you can change all zone-related settings, such as giving another name, changing the setup of the amount and type of loudspeakers, or activating (or not) Airplay or Spotify Connect ...

Sources

Adding, removing or changing the settings of sources.

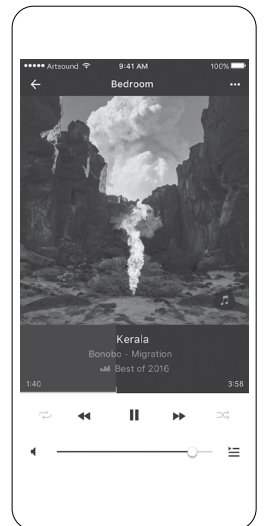
My installation

Installation details concerning your Artcore system, the way in which updates are done, details about any loudspeaker in the network.

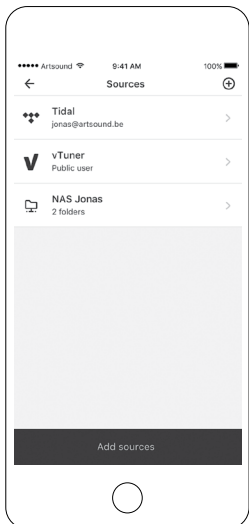
Access management

Artcore allows for extreme personalisation. As such, certain zones can be hidden or made visible, specific volume levels can be set, it can be indicated who is designated as 'administrator' or ordinary 'user', etc.

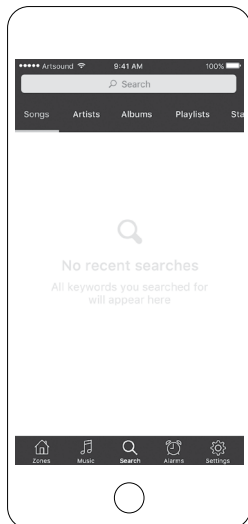
Upon first time use of the Artcore loudspeakers, the person who registers first, automatically becomes 'owner' of the configuration. As an 'owner', you are entitled to invite other persons who could be 'user' or 'administrator'. Persons who have been invited will receive an email that needs to be confirmed.



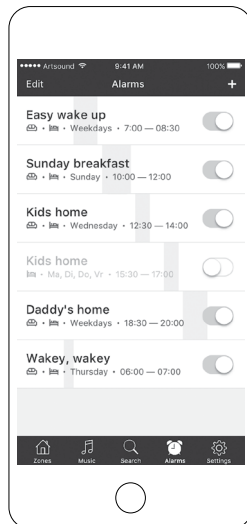
11



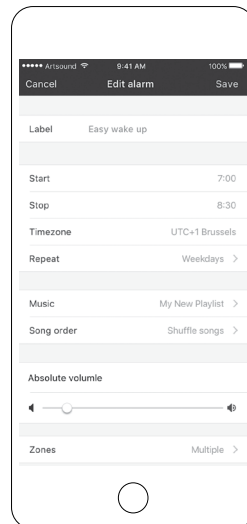
12



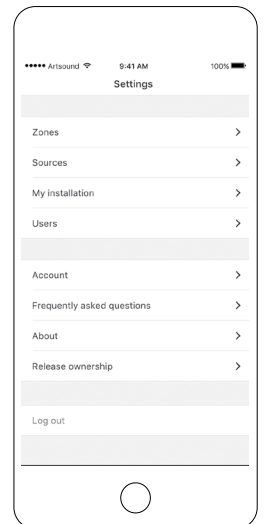
13



14



15



TROUBLESHOOTING



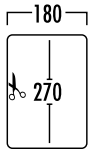
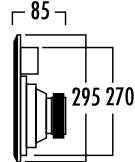
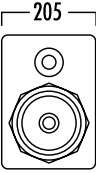
PROBLEM	SOLUTION
My loudspeaker does not turn on	Check if the loudspeaker is connected to the included power supply and whether it is powered. Via the settings menu, a test tone can be played per loudspeaker.
My loudspeaker does not appear in the app	Check whether the loudspeaker is connected to your Wi-Fi-network and is within Wi-Fi range or whether an ethernet cable has been connected. Also check whether your telephone or tablet, as well as your loudspeaker, is connected to the same network as the COREPOINT.
There is no sound coming from the loudspeaker	Increase the volume in the zone and check whether this zone is on 'mute'. Via the settings menu, a test tone can be played per loudspeaker.
I cannot connect the loudspeaker to my Wi-Fi network	Check if the loudspeaker is within reach of your COREPOINT. Possibly you can change the position, if the loudspeaker is too far. Consider placing a second COREPOINT to achieve better coverage or, if possible, fit the loudspeaker with Ethernet.

'Problem solver' above is a non-exhaustive list of possible solutions. **If you require additional assistance when setting up your system, go to <https://artsound.be/artcore> for the latest user manual, extra 'how-to's' or 'FAQ'.** Additionally, you can always contact your installer or dealer.

TECHNICAL SPECIFICATIONS

range < 50m² | 2-way | 6" néodyme |
 1" swivel neodymium titanium dome tweeter | 20 + 70 W power |
 55 Hz – 19,5 kHz frequency range | 2x gigabit Ethernet (built-in switch) |
 24V – 120W DC | 270 x 180 mm cut-out | 295 x 205 x 85 mm (h x w x d) |
 1,9 kg / piece | ABS / metal grill | water repellent | paintable grill



<ul style="list-style-type: none"> - magnetische grille - grille magnetique - magnetic grille 		
<ul style="list-style-type: none"> - richtbare neodymium titanium dome tweeter - dôme pivotant titane néodyme - swivel neodymium titanium dome tweeter 		
		

Version 1.1

artsound
 smart solutions in audio

House of Music nv, Schoonboeke 10 - 9600 Ronse, Belgium
www.artsound.be

Designed in Europe - Made in China



www.artsound.be [f Artsound.Audio](https://www.facebook.com/Artsound.Audio) [artsoundaudio](https://www.instagram.com/artsoundaudio)