

AS-Distribution GmbH
Hillenbrandstraße 10
73079 Süßen / Germany

Phone +49 7162 9474450
E-Mail info@as-distribution.de
www.acoustic-signature.com

Managing Director
Gunther Frohnhöfer
Jacqueline Frohnhöfer

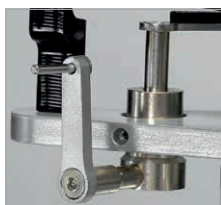
TA-1000

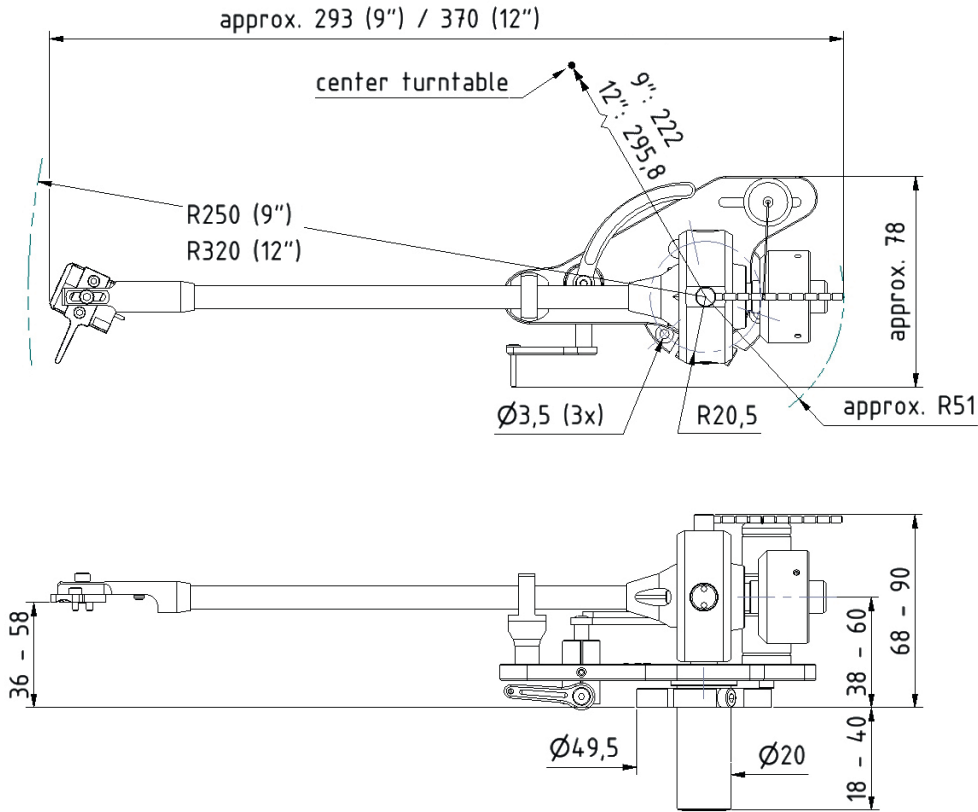


also available in black or gold

At our classic bestseller the TA-1000 we only use precision miniature bearings from the manufacturer SKF. The bearings are ultra-precisely adjusted during the production process. The bearings are added with minimal pre pressure for zero backlash to achieve a minimum friction and maximum stability. When it comes to arm tubes – 2 mutually exclusive conditions need to be combined. Maximum stiffness and low resonance achieved by internal damping. Very stiff materials are hard and therefore very susceptible to resonances. The solution is a custom made dual carbon tube. The two pipes are joined by connecting elements. This creates

a very rigid tube with a high internal damping and resonance. The TA-1000 uses a Mogami cable for internal wiring and a 5 pin connector. To set up a pickup perfect it is required to compensate the possible misalignments of the stylus. The TA-1000 allows you to exactly adjust the Azimut angle. For this you simply open 3 small screws and then the arm tube can be swiveled for ± 5 degrees so the angle can be adjusted perfect for each cartridge. If these screws are again tightened the arm tube sits stiff and perfectly adjusted. This mechanical piece of art is available in 9 and 12 inch length.





TECHNICAL DATA

Length	9 inch	12 inch
Cartridge balance range	4 g – 16.0 g	4 g – 16.0 g
Zero Point inner DIA	61.0 mm	61.0 mm
Zero Point outer DIA	121.0 mm	121.0 mm
Signal Cable	5 pin plug	5 pin plug
Overhang	15 mm	12.56 mm
Total length	252 mm	330.66 mm
Effective length	237 mm	318.1 mm
Distance (Distance from pivot to stylus)	222 mm	295.6 mm
Tilt Angle	22.00 °	17.30 °
Effective mass	9.3 g	12.3 g
Total weight	575 g	600 g
Tone arm mounting	Rega Style & SME	Rega Style & SME
external cable	optionally with straight or 90° plug	optionally with straight or 90° plug