

MARGO™ 5229 Cabinet

bdiusa.com
customerservice@bdiusa.com



Product Registration

Registering your new BDI product allows us to send you important product updates, service information and helpful hints related to your BDI products. Register today, and you will be entered to win a free BINK table from BDI: www.bdiusa.com/register

Placement and Maintenance

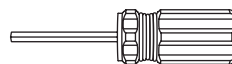
Your Margo Cabinet is designed for indoor use on level floors. Clean all surfaces with a damp cloth.

Margo is engineered for easy assembly. Carefully follow this procedure to prevent any damage. Do not use power tools for assembly of this product.

Step 1

Unpack and identify the parts listed below. The assembly workspace should be a non-marring surface such as carpet. For missing hardware pieces, contact BDI Customer Service at: customerservice@bdiusa.com. For all other concerns, please contact your BDI retailer.

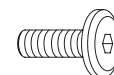
Component List



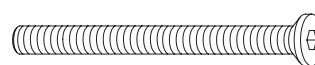
T1 Hex driver x 1



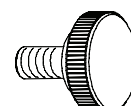
T2 Small Hex wrench x 1



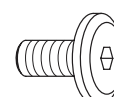
H1 M6 x 12mm
Screw x 4



H2 M6 x 72 mm
Screw x 7



H3 Thumb Screw x 2



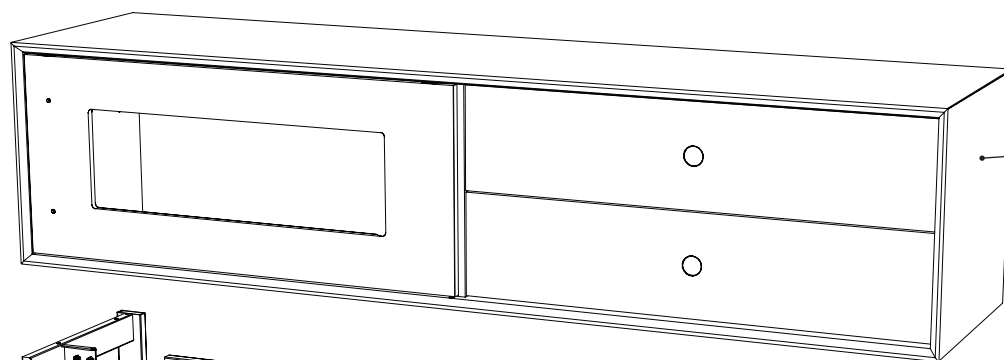
H4 5/16 x 5/8"
Screw x 1



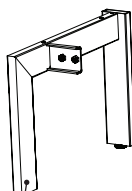
H5 TV Safety Strap x 1



C2 Shelf x 1



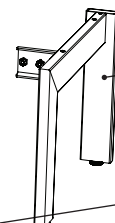
C1 Cabinet x 1



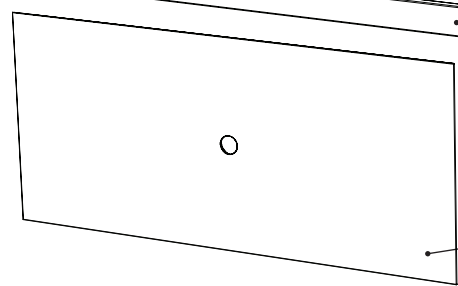
A2 Left Leg x 1



A1 Base Rail x 1

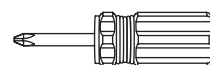


A3 Right Leg x 1



C3 Door Fascia x 1

Tool Required:
Phillips Screwdriver



Designed by Jeff Bare.

These distinctive product configurations are protected by US and international patents, trade dress, and/or copyright laws. Margo & BDI are trademarks of Becker Designed, Inc. All rights reserved. ©2018, BDI

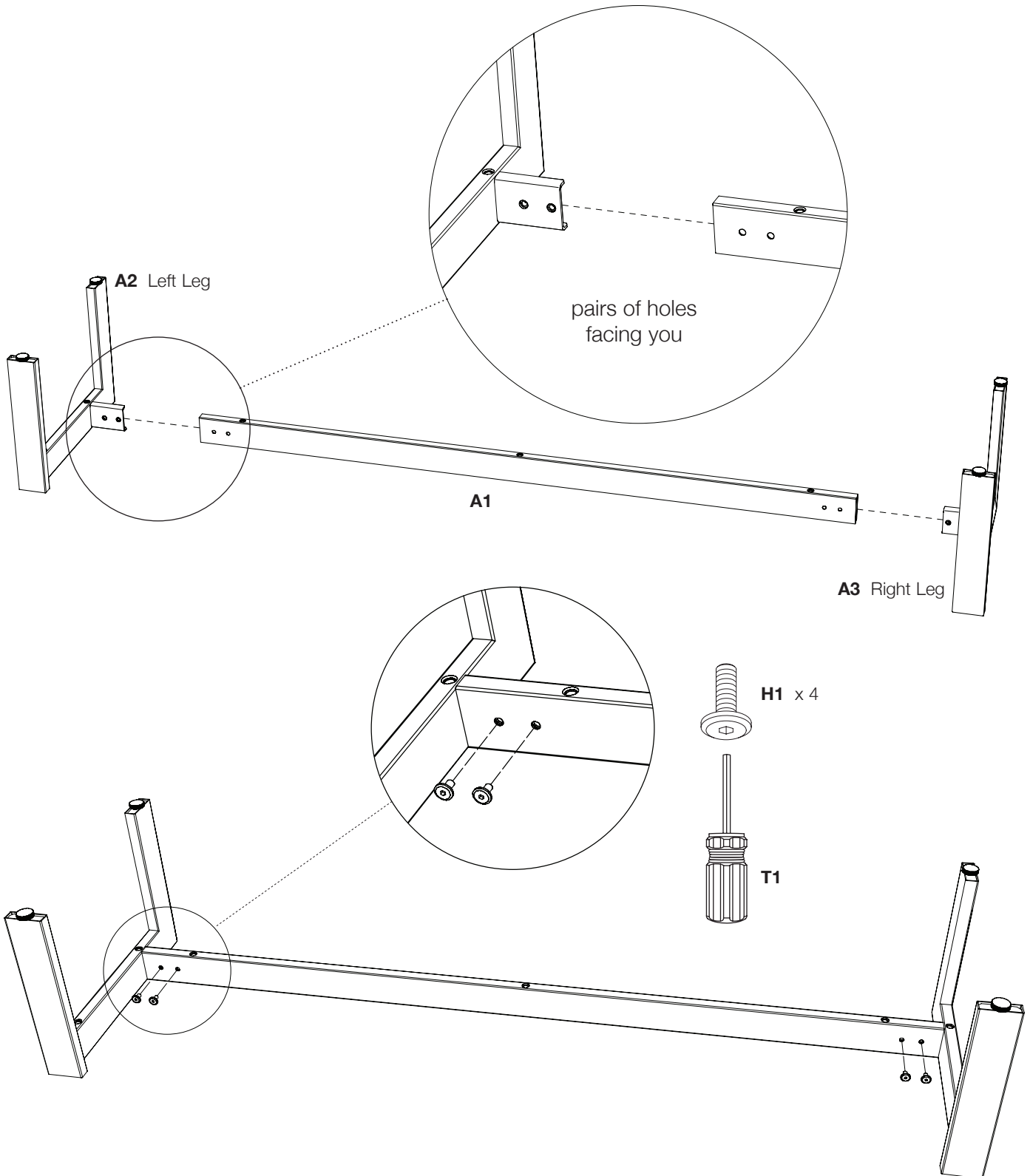
Patent:

Made in China. 08.06.2019 V3

Step 2 - Assemble the base

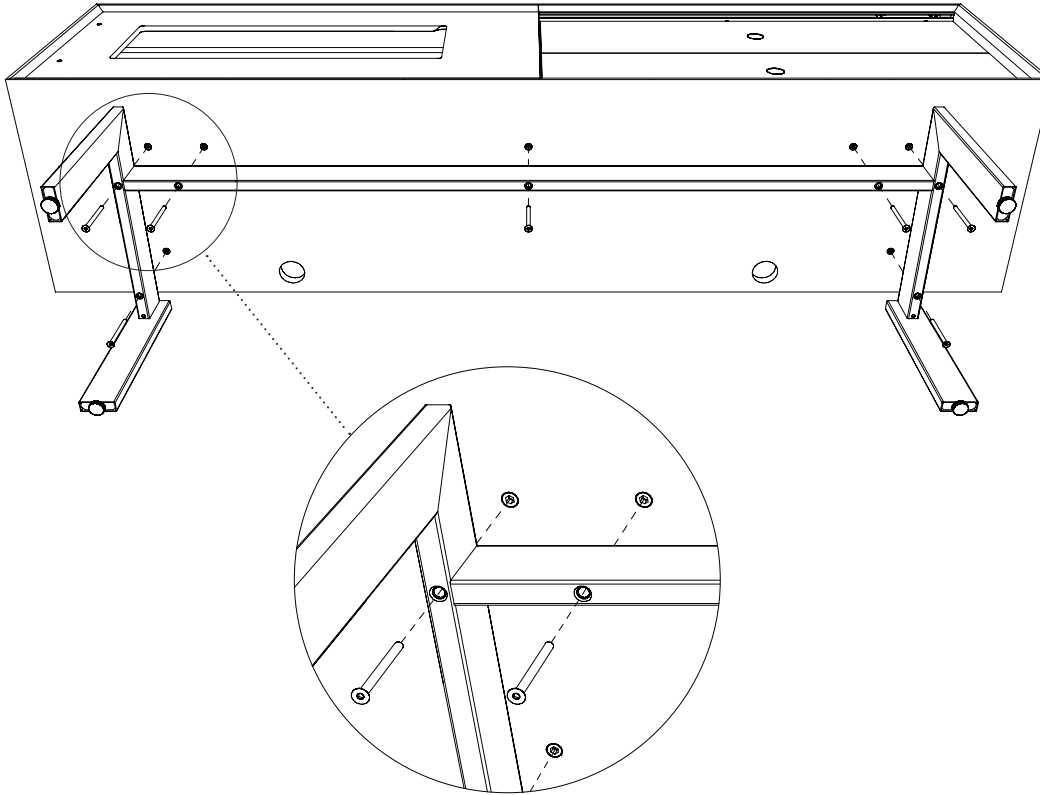
Position **base rail A1** on a padded floor as shown. Orient the left and right legs as shown and slide the leg tabs into the ends of the base rail. Attach leg to base rail with screws **H1** and **hex driver T1**.

Do not fully tighten the screws yet.



Step 3 - Attach the base

With help from another person, carefully position the cabinet on its back. Attach the **base** using **screws H2** and **hex driver T1** going through the holes on the base and into the threaded holes on the bottom of the cabinet. Now fully tighten leg to base rail screws.



H2 x 7

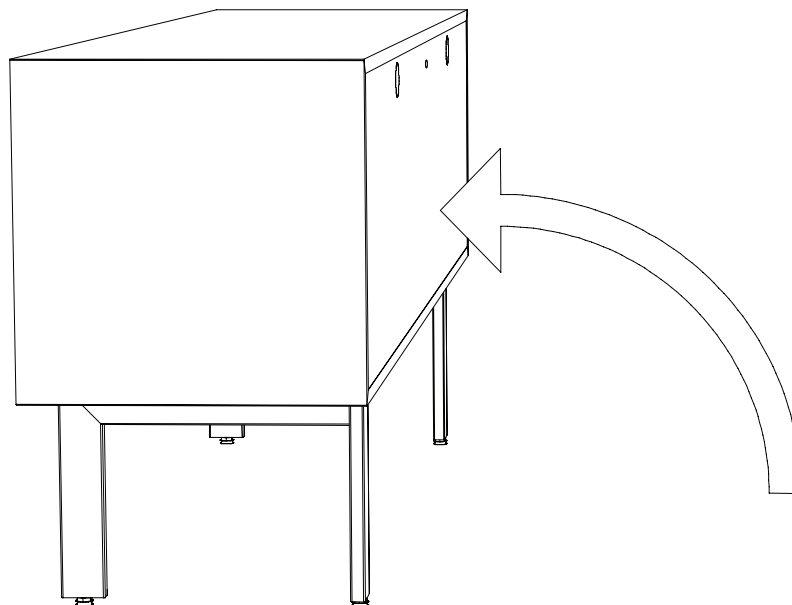
T1

Step 4 - Stand Up

With help from another person, and **making sure the door does not slide**, carefully position the **cabinet** onto its base.



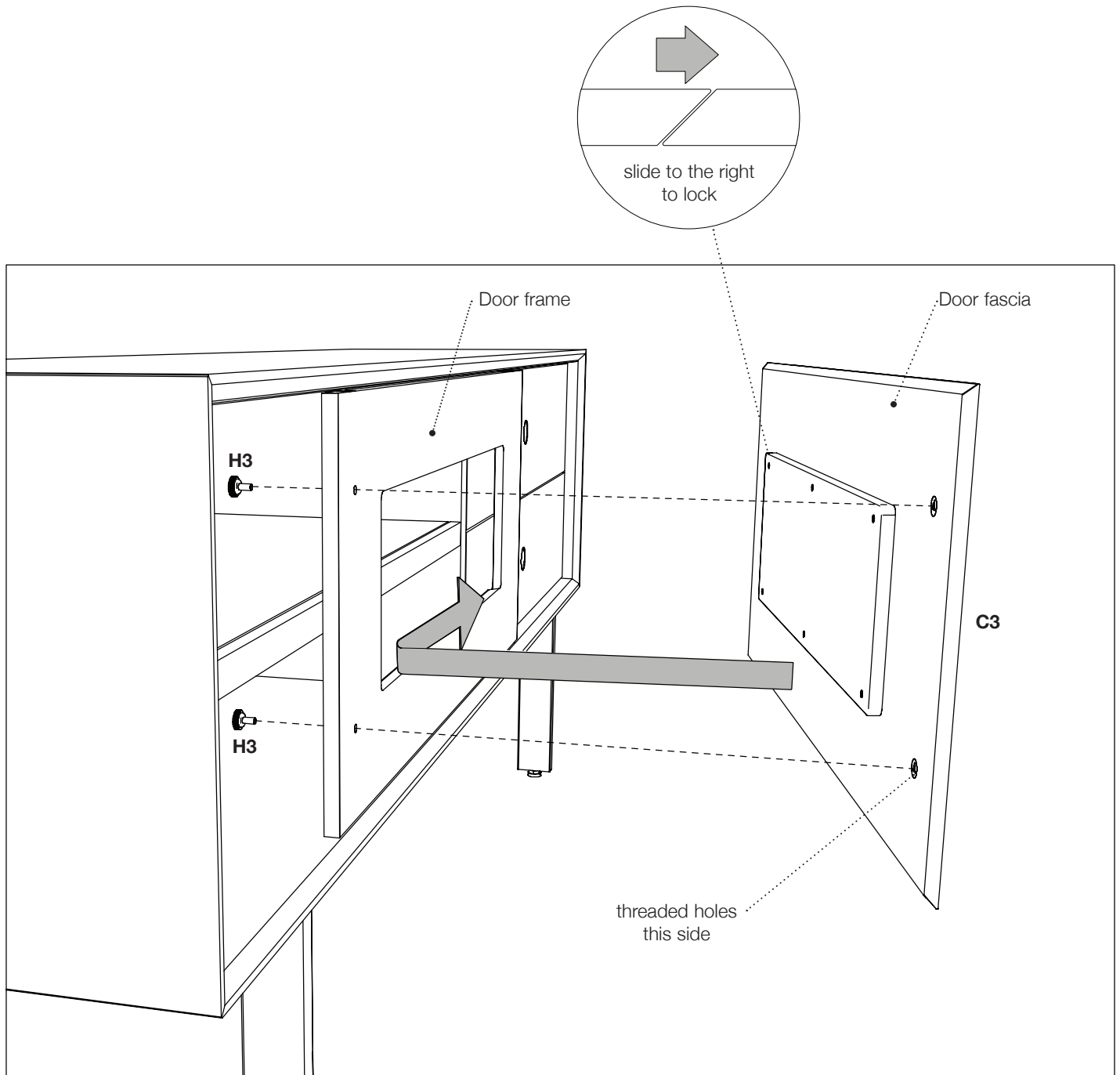
secure door
before moving the
cabinet



Step 5- Attach Door Fascia

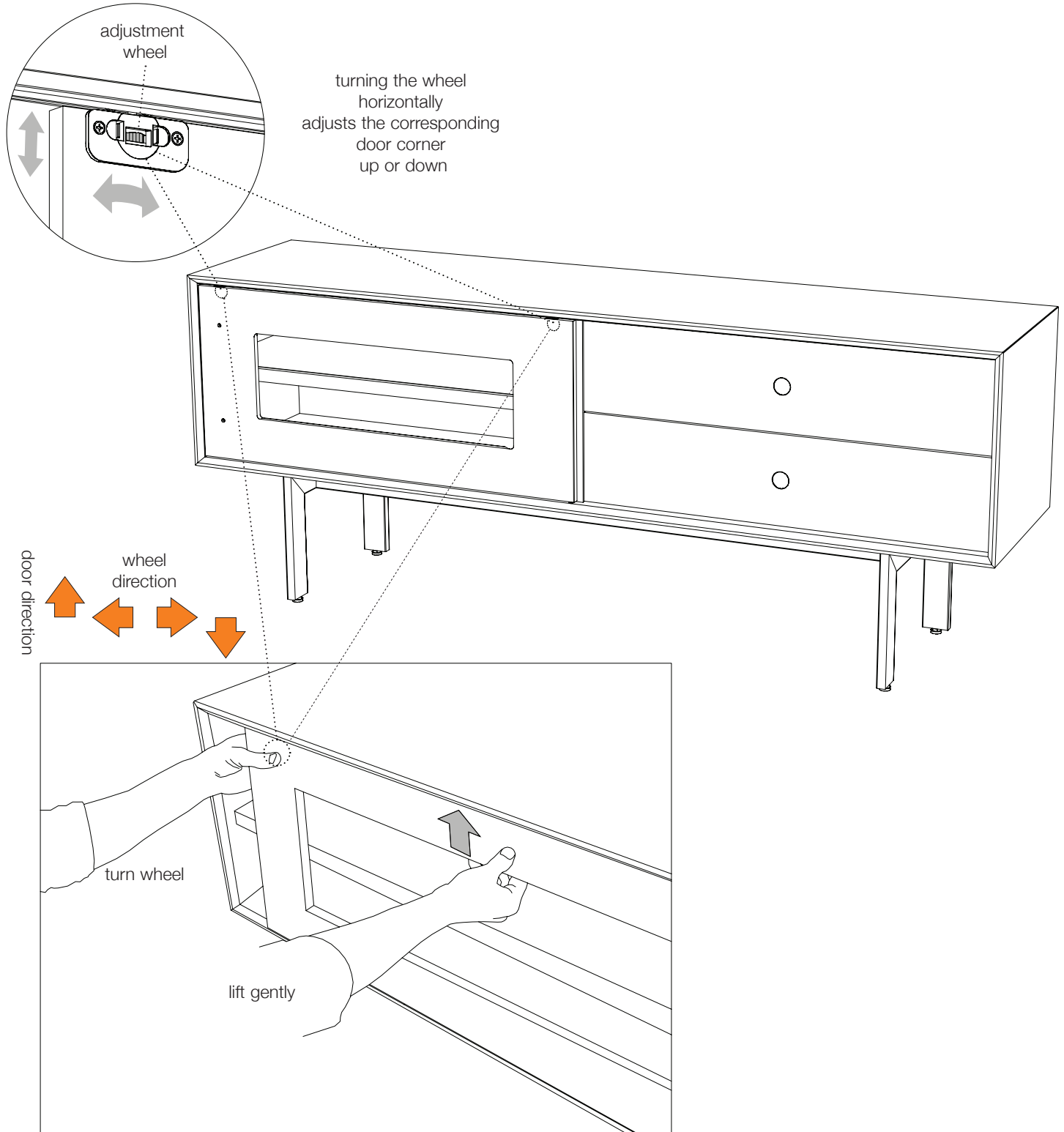
Slide the **door frame** towards the middle. Orient the **door fascia C3** as shown with the **threaded holes behind the left side**. Position the **door fascia C3** into the door frame and shift it to the right while holding the left edge of the door frame to prevent it from sliding. Secure the left side of the door fascia to the door frame with **2 thumb screws H3** going into the holes on the back of the **door frame** and into the threaded holes on the back of the **door fascia C3**.

Caution: Before sliding the door, check to make sure the **door fascia** is **not rubbing** on either the top or bottom edge of the cabinet. If it is, **proceed to step 6**. If your door is level and the gaps on the top and bottom are even, **proceed to step 7**.



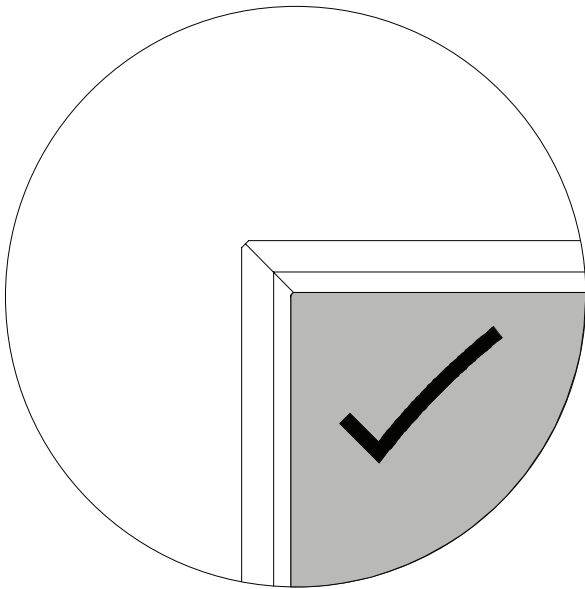
Step 6 - Adjust sliding door (if needed)

If your sliding door is not hanging evenly, or rubs at the top or bottom, it can be adjusted up or down by turning one (or both) **adjustment wheels** inside the cup (located behind each upper corner of the door). To access the adjustment wheel behind the right side of the door, **remove the door facia** by following **step 5 in reverse**. To move the door frame **up** turn the wheel towards the **left**. To move the door frame **down**, turn the wheel towards the **right**. Lifting the door frame up with your other hand allows the adjustment wheel to turn more freely.

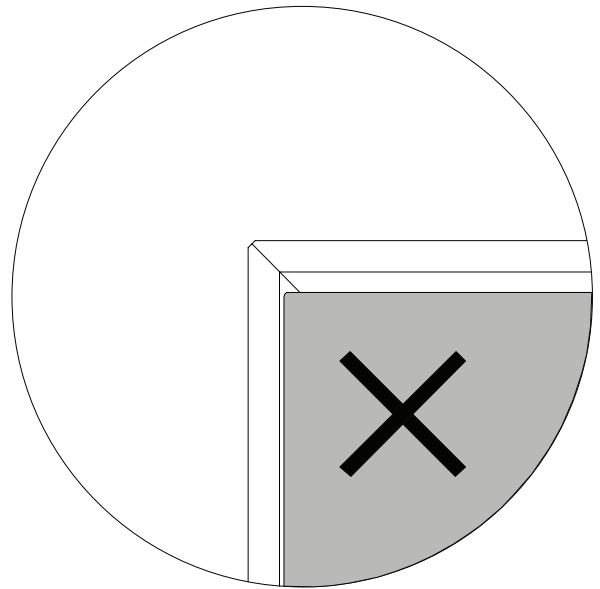


Step 7 - Door Stops

Your Margo Console sliding door has **2 green door stops** located at each end of the upper aluminum track. The door stops are preset to allow the door to stop in the correct position. If your door(s) do not stop at the preset position indicated below, it is likely they may have moved during transit and handling. You will need to reposition and tighten the door stop using **Small Hex Wrench T2**. The end of the door stops should be exactly 19mm (3/4") away from the end of the track.



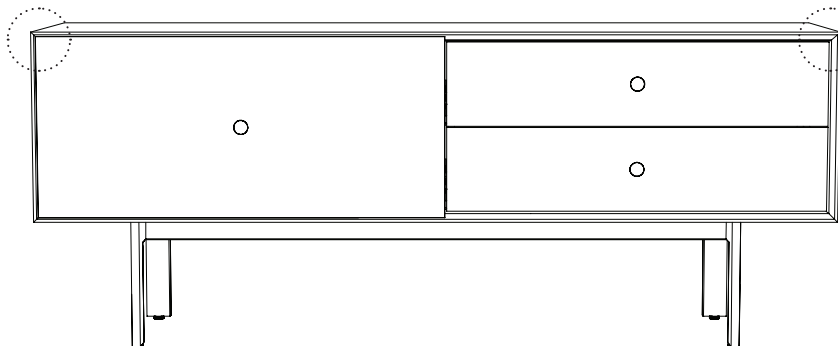
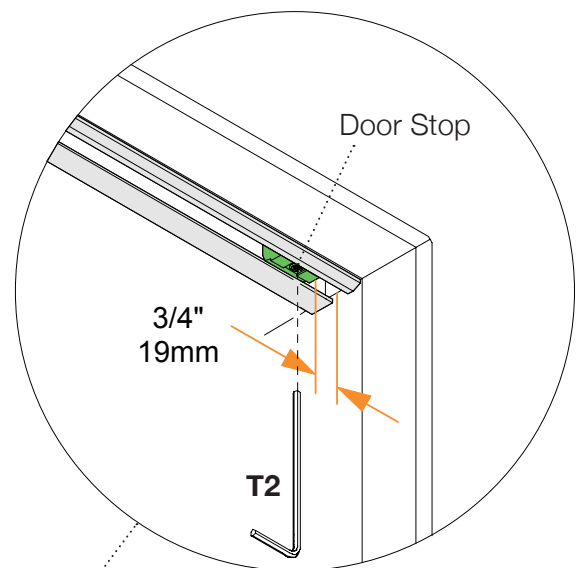
Correct Door Stop Position



Incorrect Door Stop Position

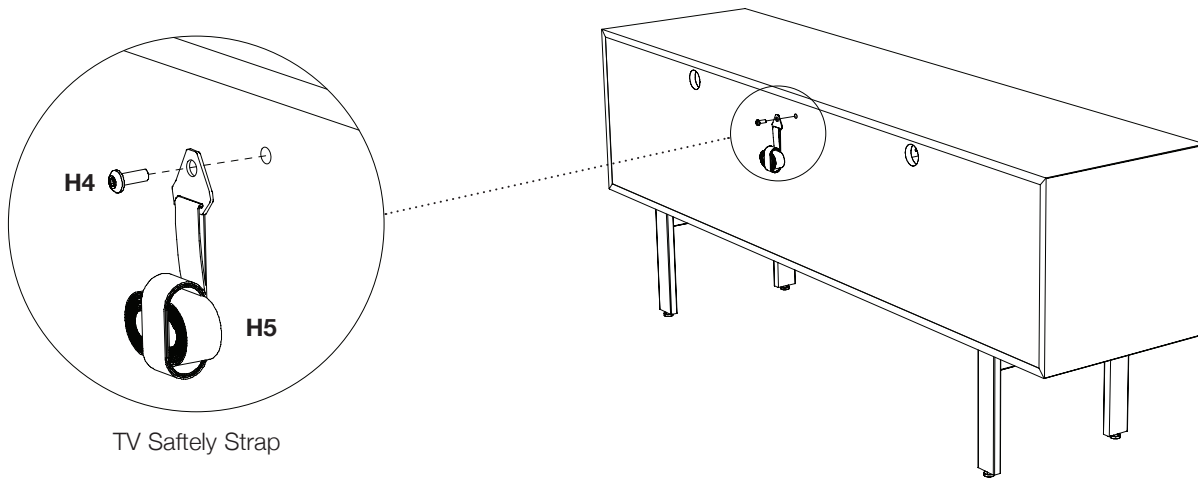
Edge of green door stop should be 19mm (3/4") away from end of track.

Use Small Hex Wrench T2 to tighten door stop in correct position.



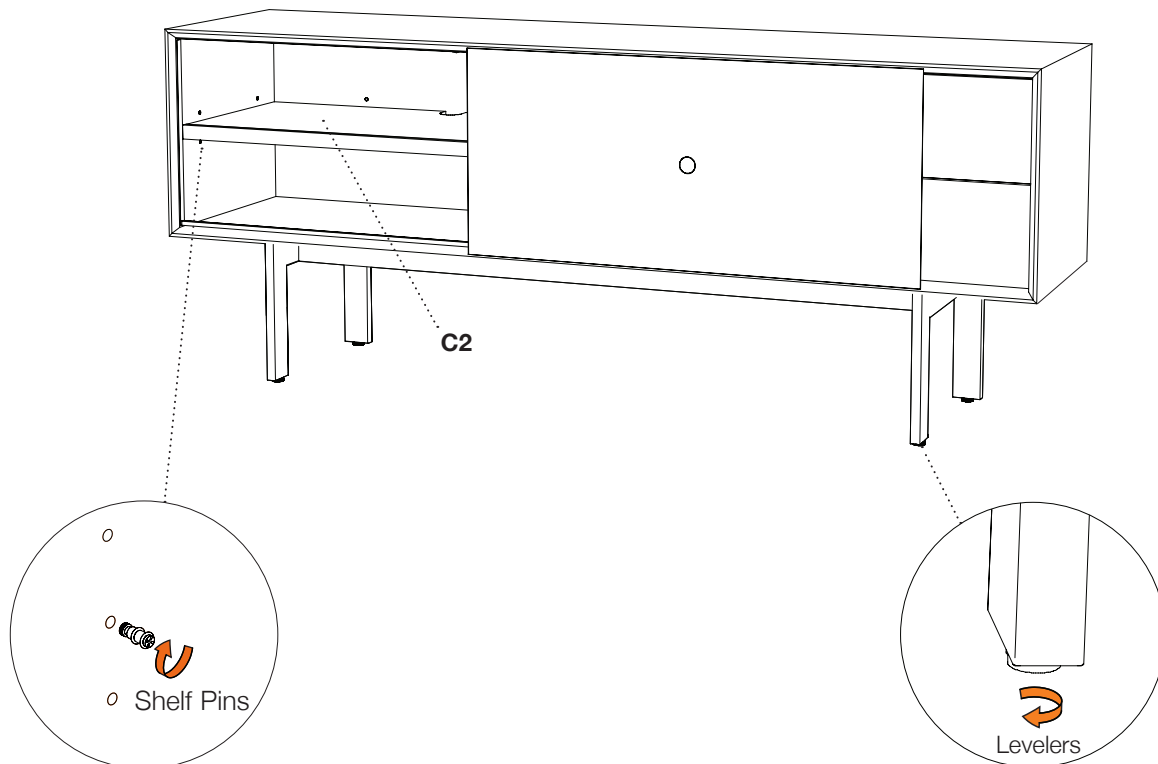
Step 8 - TV Safety Strap

Your Margo Cabinet is equipped with a **TV safety strap**. If using a TV, attach the **TV safety strap H5** to the back of the cabinet with **screw H4**, unravel and connect the 2 loose ends of the Y strap to your TV. See hang tag for details.



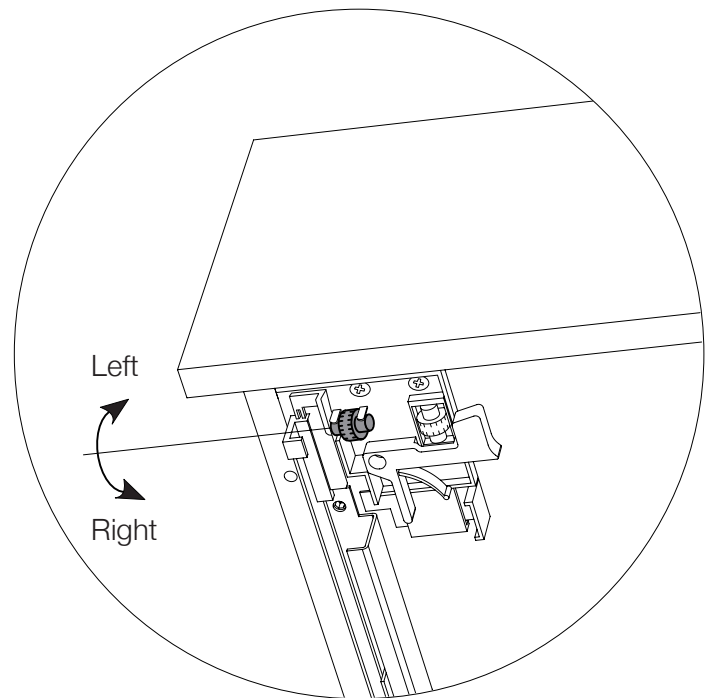
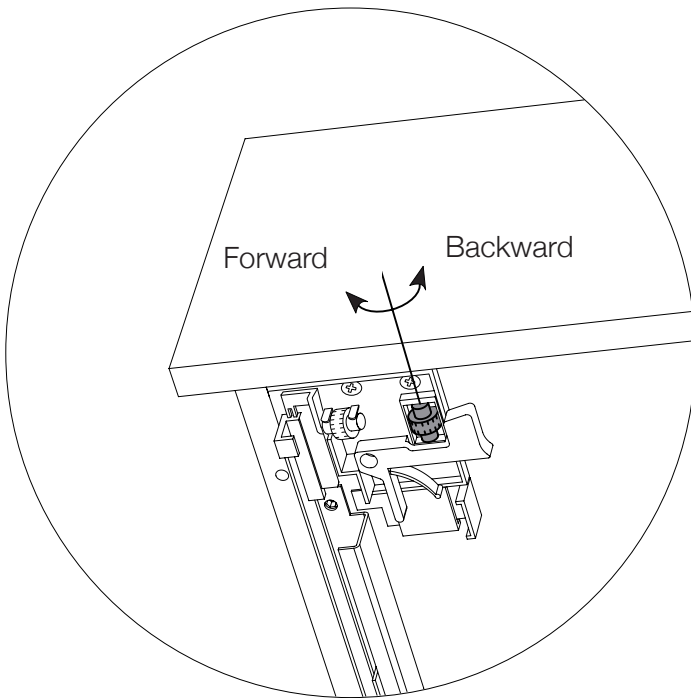
Step 9 - Adjust shelves / Level your unit

The cabinet **shelf C2** is adjustable. Shelf pins may be unscrewed and moved up or down. Levelers are integrated into each leg assembly and are accessed at the bottom of each leg. If your floor is uneven, you may extend one or more levelers to attain a level, stable cabinet position.



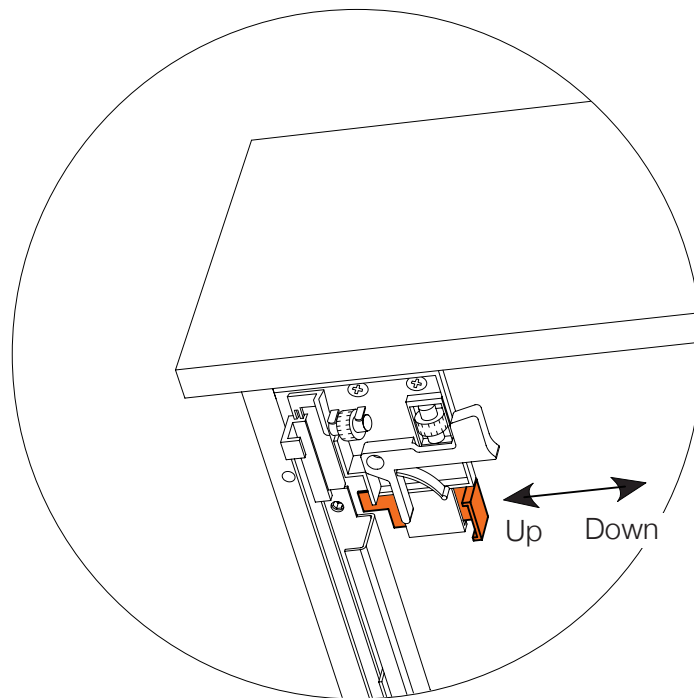
Step 10 - Drawer Adjustment

The 2 drawers on your Margo Cabinet are adjustable as much as 2mm up, down, left, right, back or forward. If the drawers are out of alignment, follow the steps below:



1) Rotating the **black** wheel towards the inside of the drawer moves the drawer backward, deeper into the cabinet.

2) Rotating the **white** wheel towards you moves the drawer to the left. Rotating away moves it right.



3) Pushing the **orange** lever towards the outside wedges the drawer up. Pulling it towards the middle of the drawer makes the drawer drop.