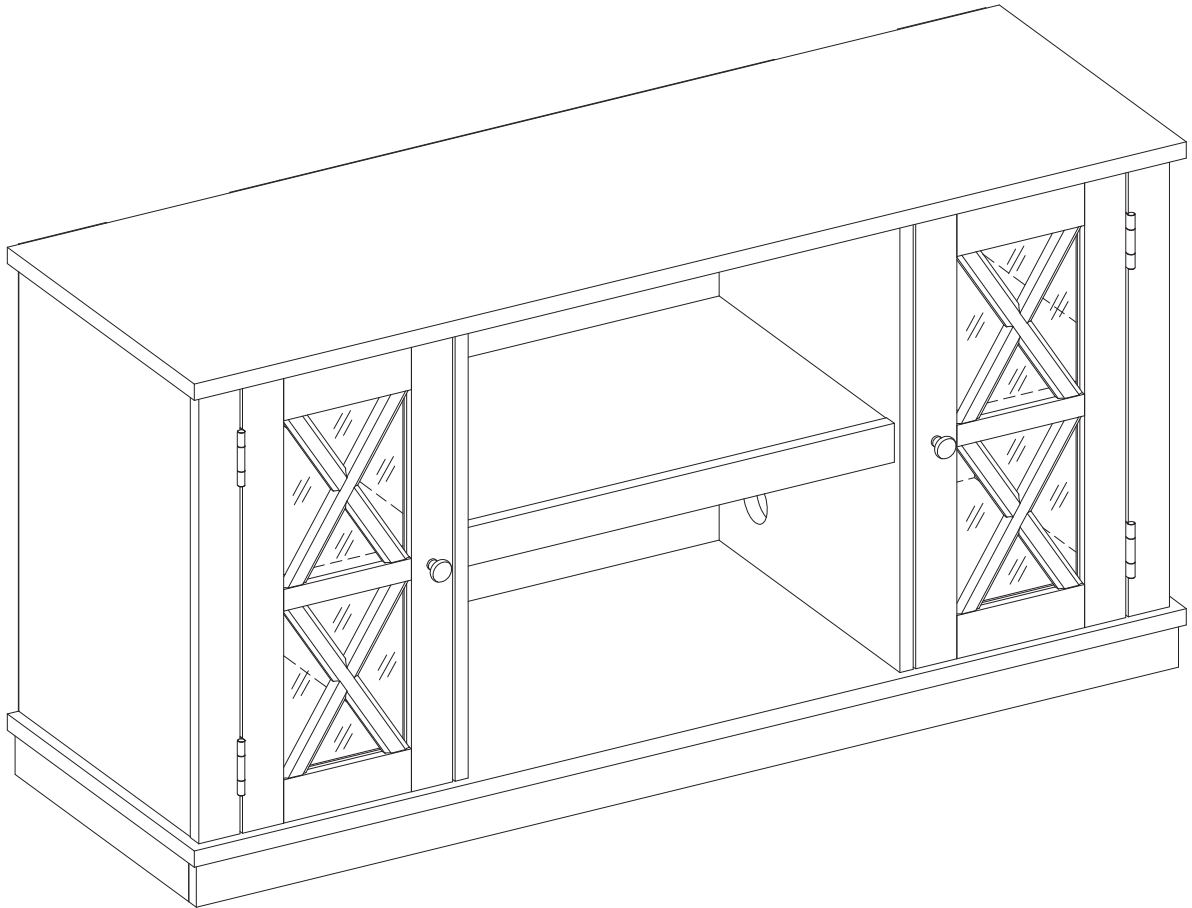
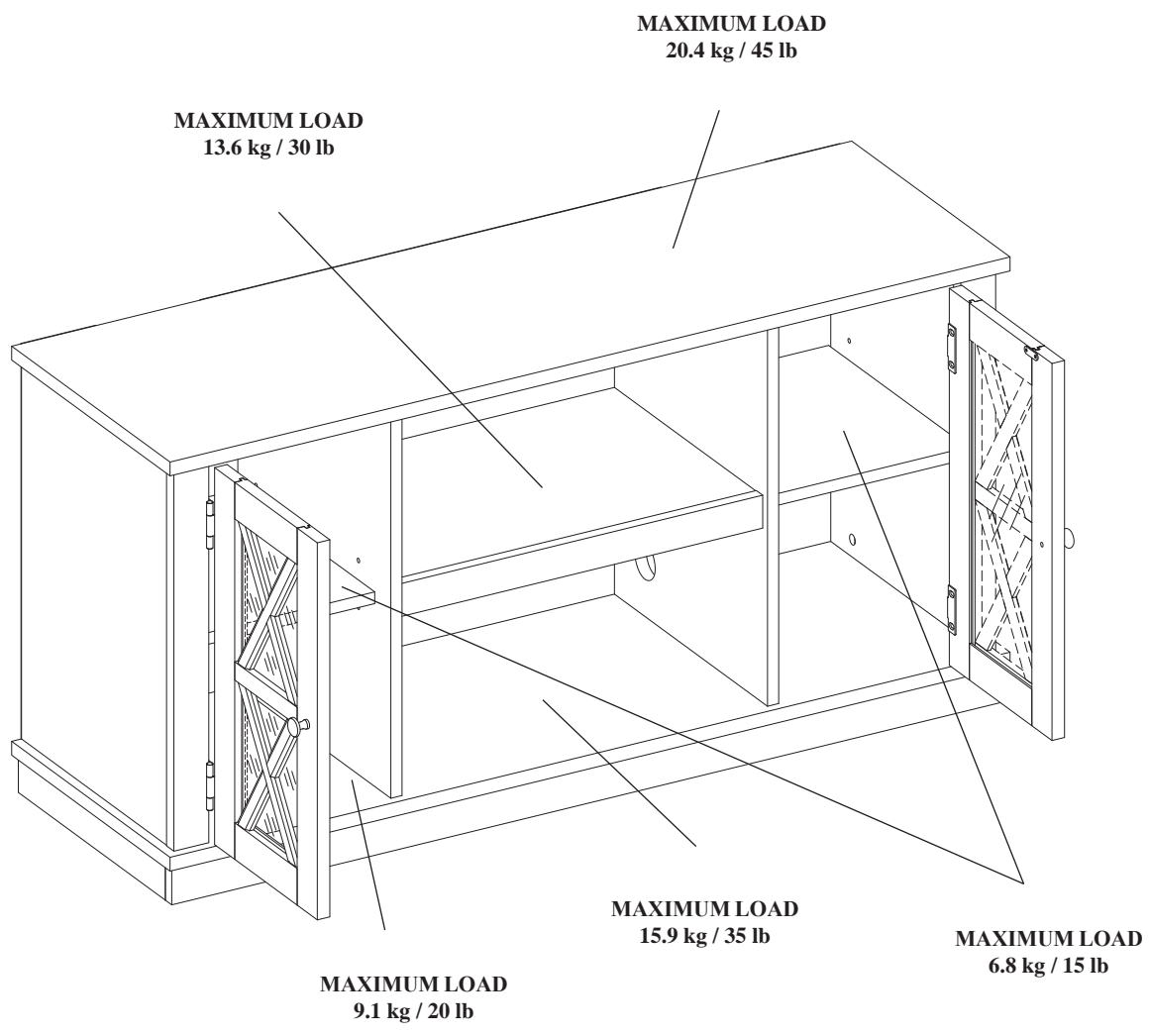


TC48-6092



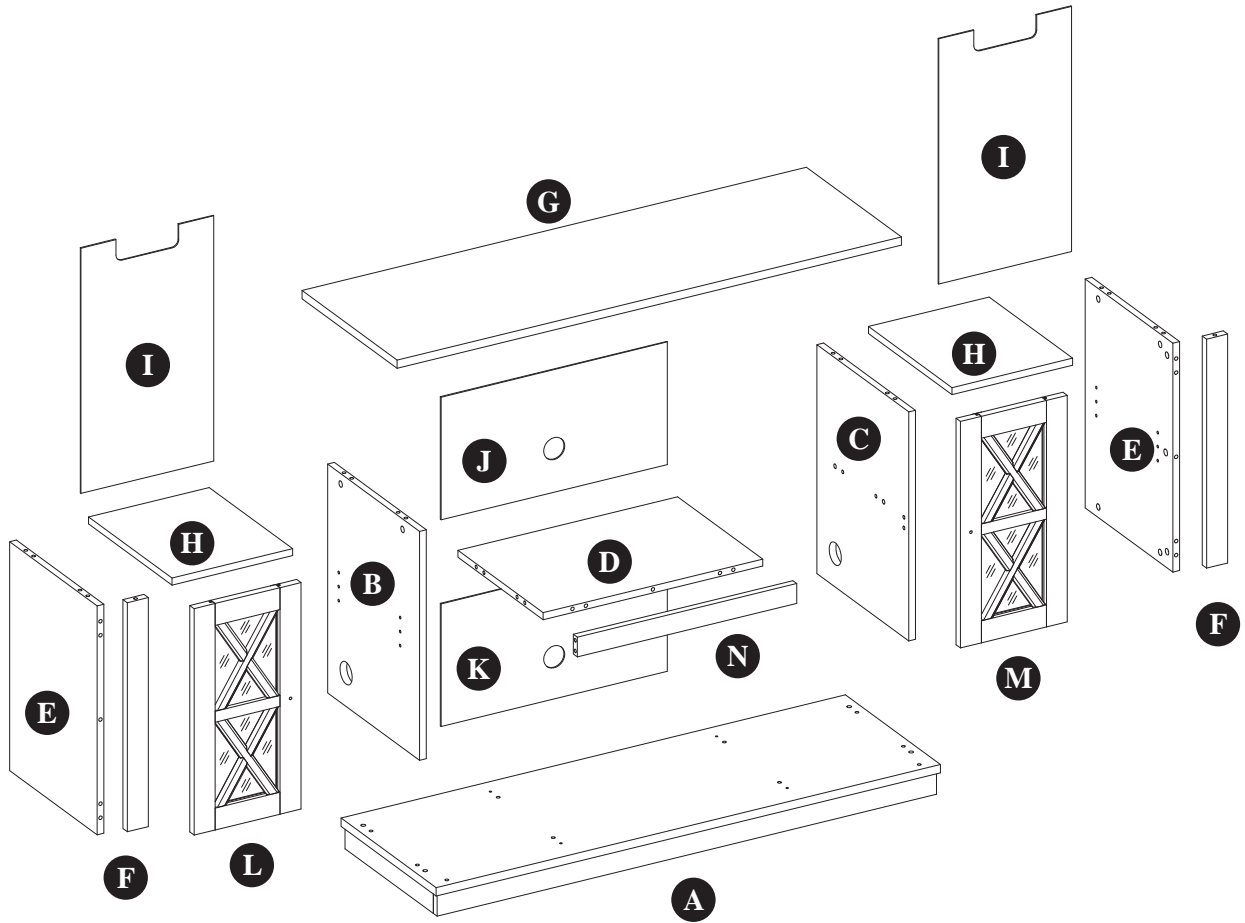
*Bell'O*<sup>®</sup>  
simply...beautiful<sup>®</sup>



**WARNING:**

For use with most LCD/Plasma televisions weighing 20.4 kg / 45 lb or less. Use with televisions or loads heavier than the maximum weights specified may result in instability causing tip over resulting in death or serious injury.

# TC48-6092



## SAFETY INFORMATION



Please read and understand this entire manual before attempting to assemble, operate or install the product.



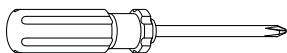
### WARNING

- Some steps are more easily handled with two adults.

### CAUTION

- Before assembly and/or installation, carefully unwrap all parts.
- Locate and set aside the hardware kit before discarding packaging.
- Use care when assembling your new product. Take your time and follow the assembly instructions closely.

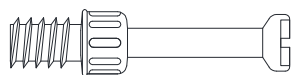
## TOOLS REQUIRED



(NOT INCLUDED)

# HARDWARE

[x25]



AA

PH-KDBZNC002

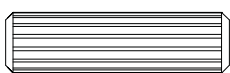
[x25]



BB

PH-KDCZNC001

[x34]

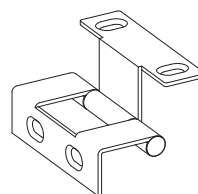


Ø8x30mm

CC

PH-DWLNTL001

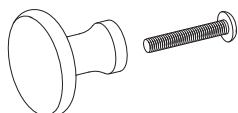
[x4]



DD

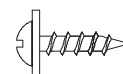
PH-HNGBRZ005

[x2]



EE

[x33]



Ø3x12mm

FF

PH-SCRBLK007

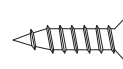
[x4]



GG

PH-SCRBLK006

[x16]

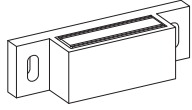


HH

Ø3.5x16mm  
PH-SCRNKL008

# HARDWARE

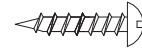
[x2]



**II**

PH-MCHBRW001

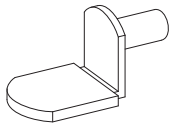
[x4]



**JJ**

Ø3x15mm

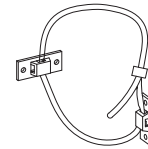
[x8]



**KK**

PH-SPNPCSPLB2

[x2]



**LL**

PH-BKTWHT003

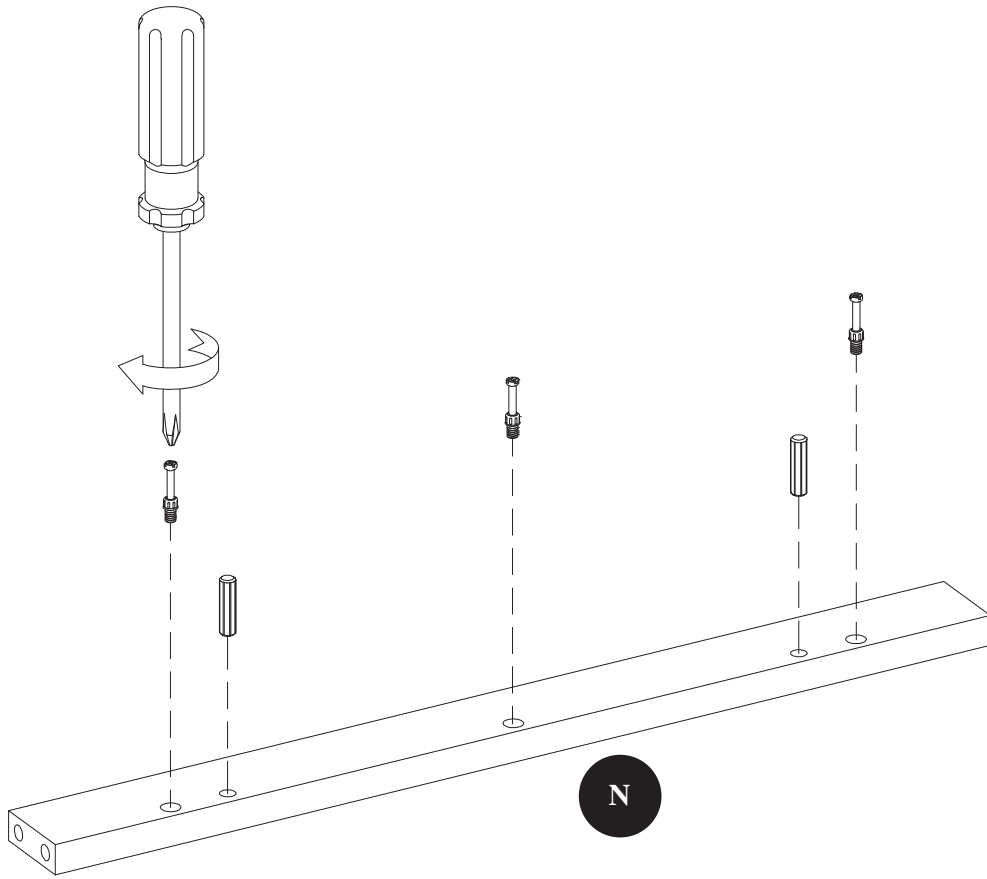
[x1]



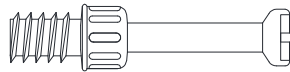
**ZZ**

Touch-Up pen

1



AA

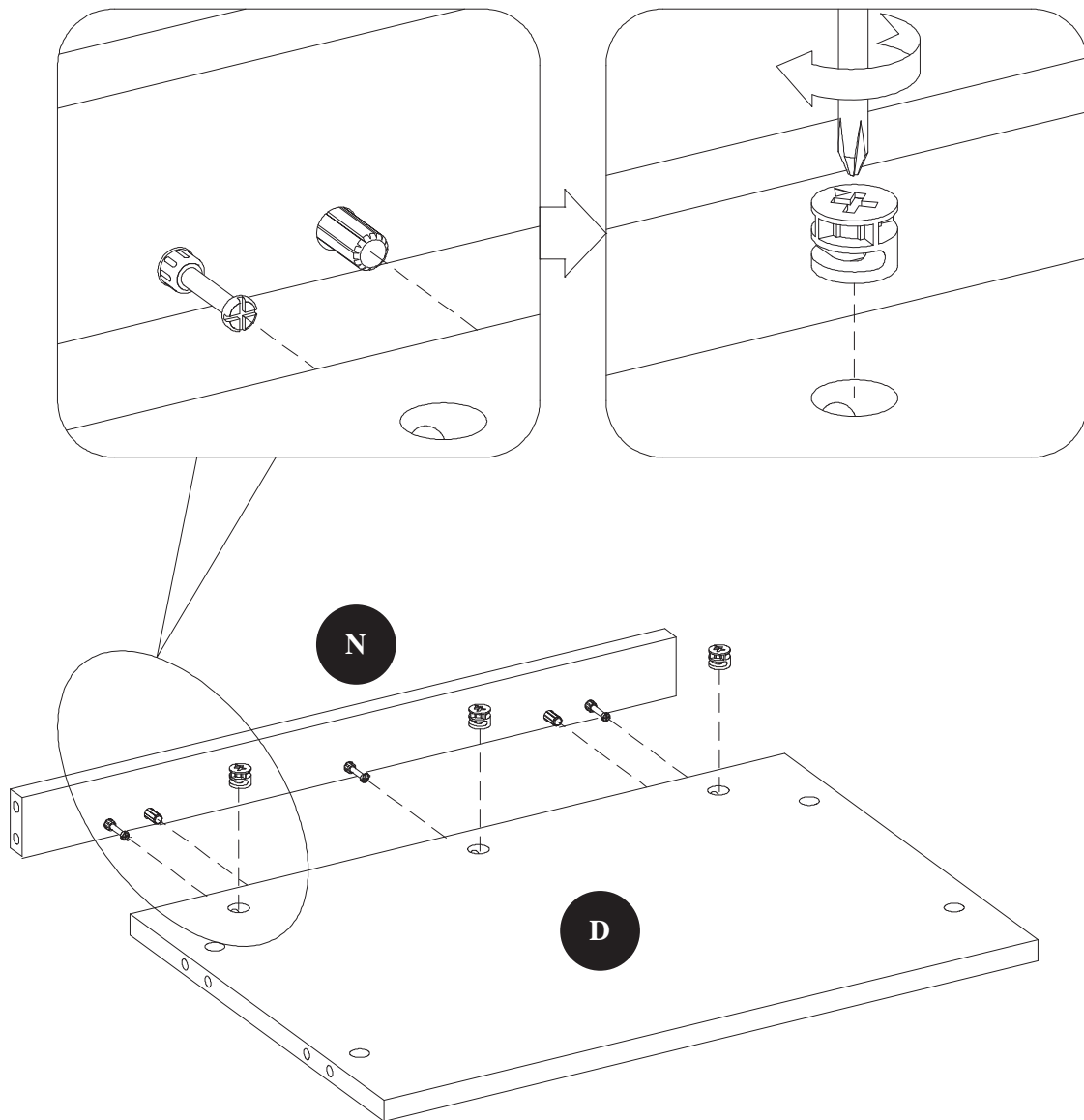


[x3]

CC



[x2]

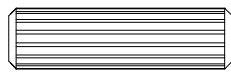
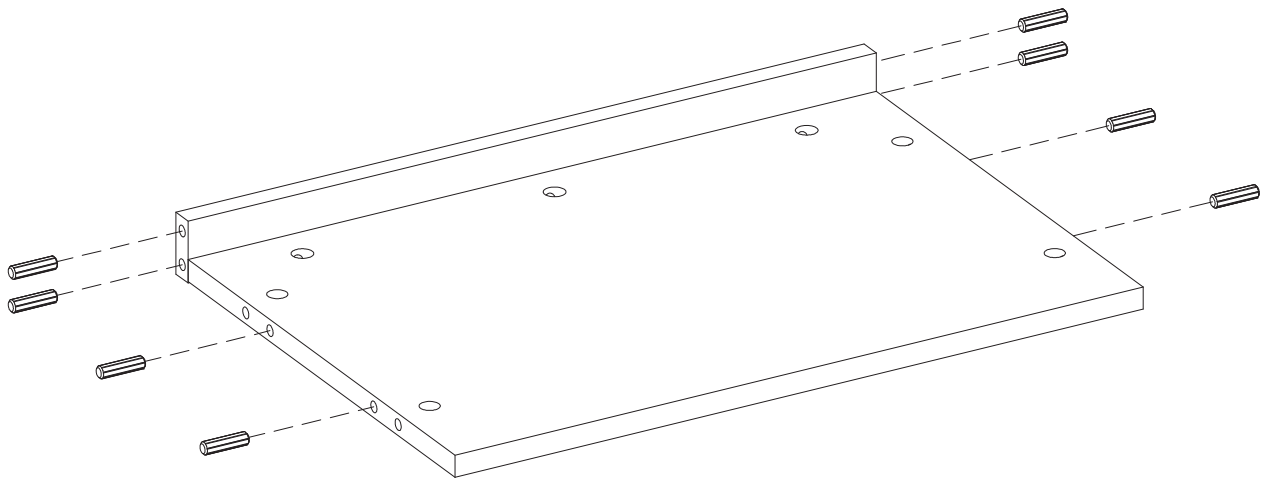


BB



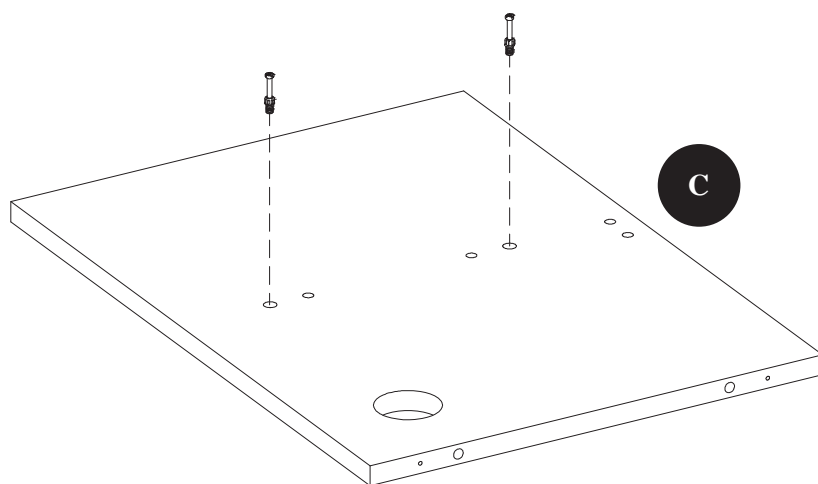
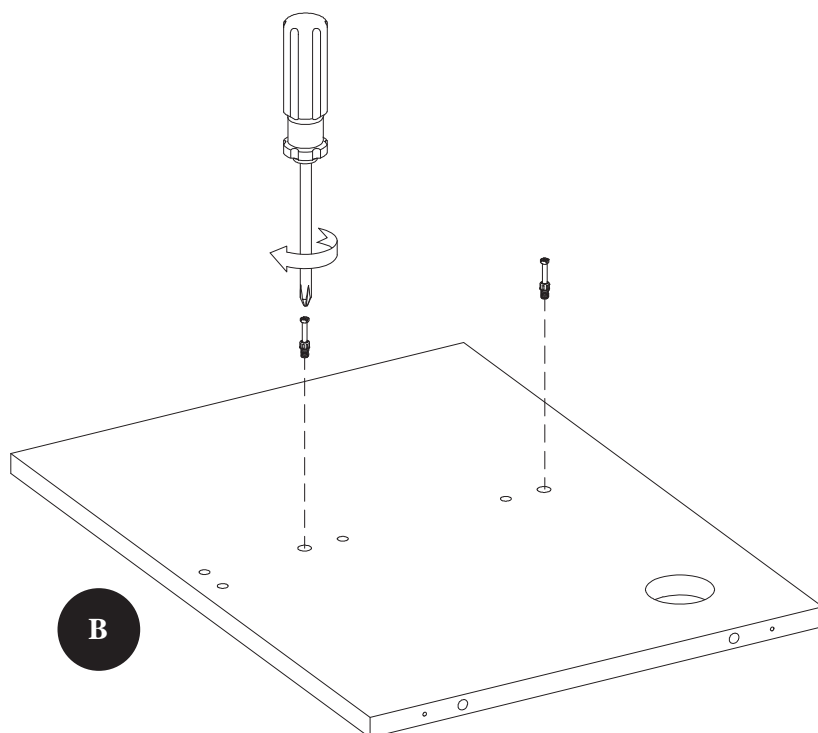
[x3]



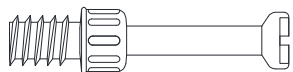


[x8]

4

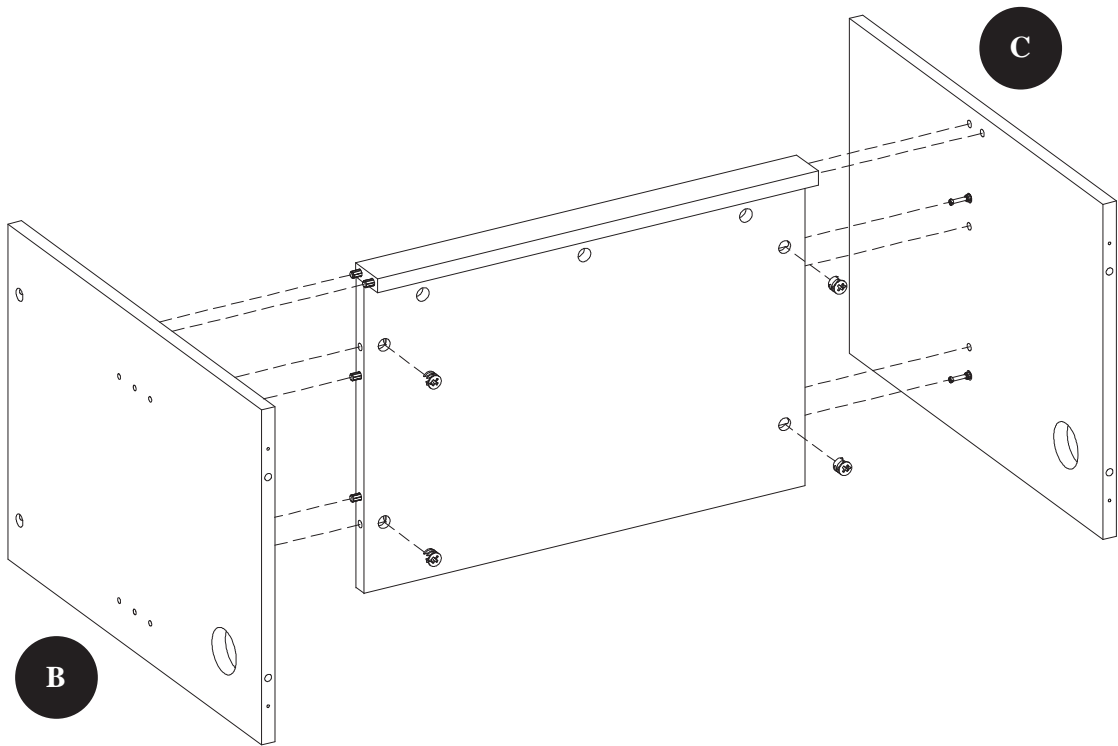
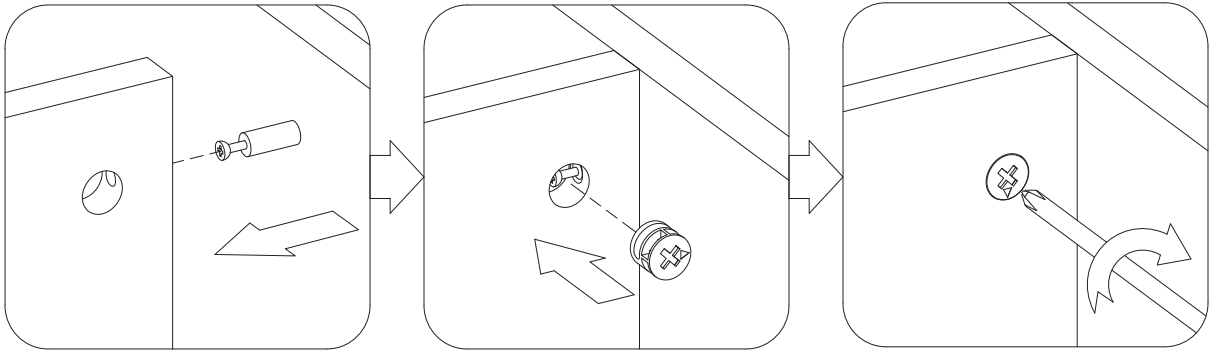


**AA**



**[x4]**

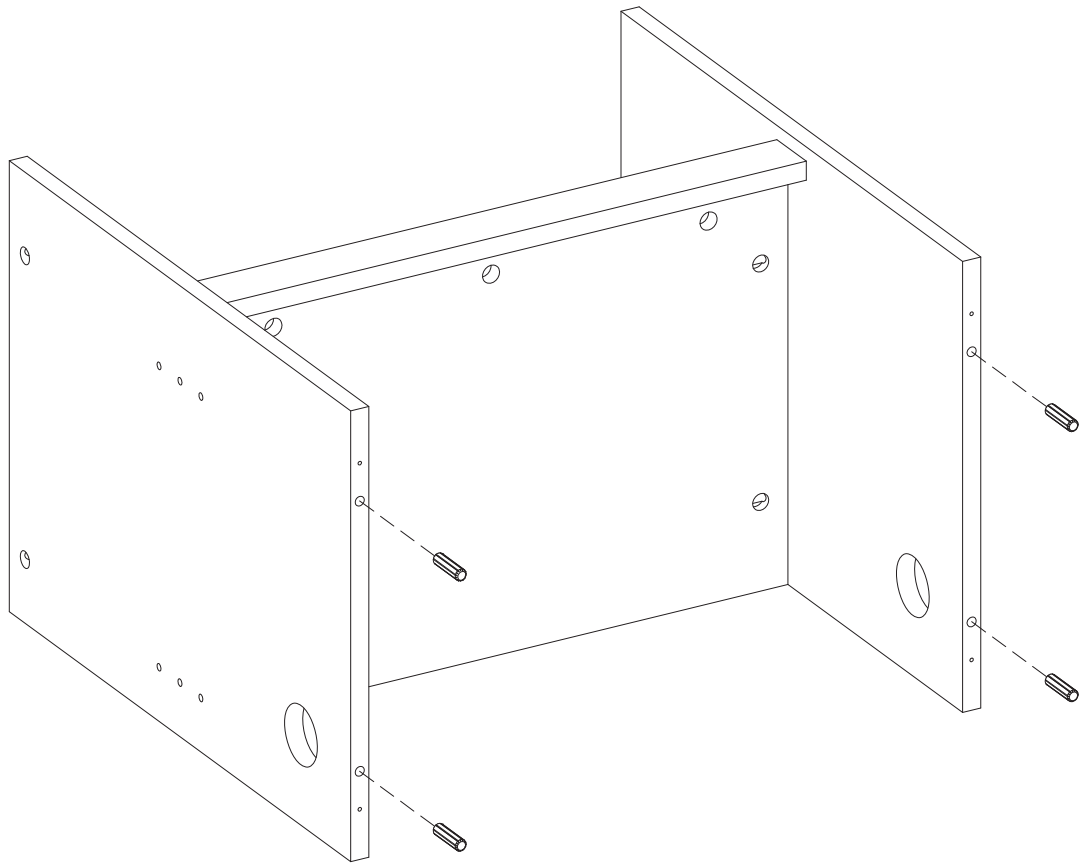
5



BB

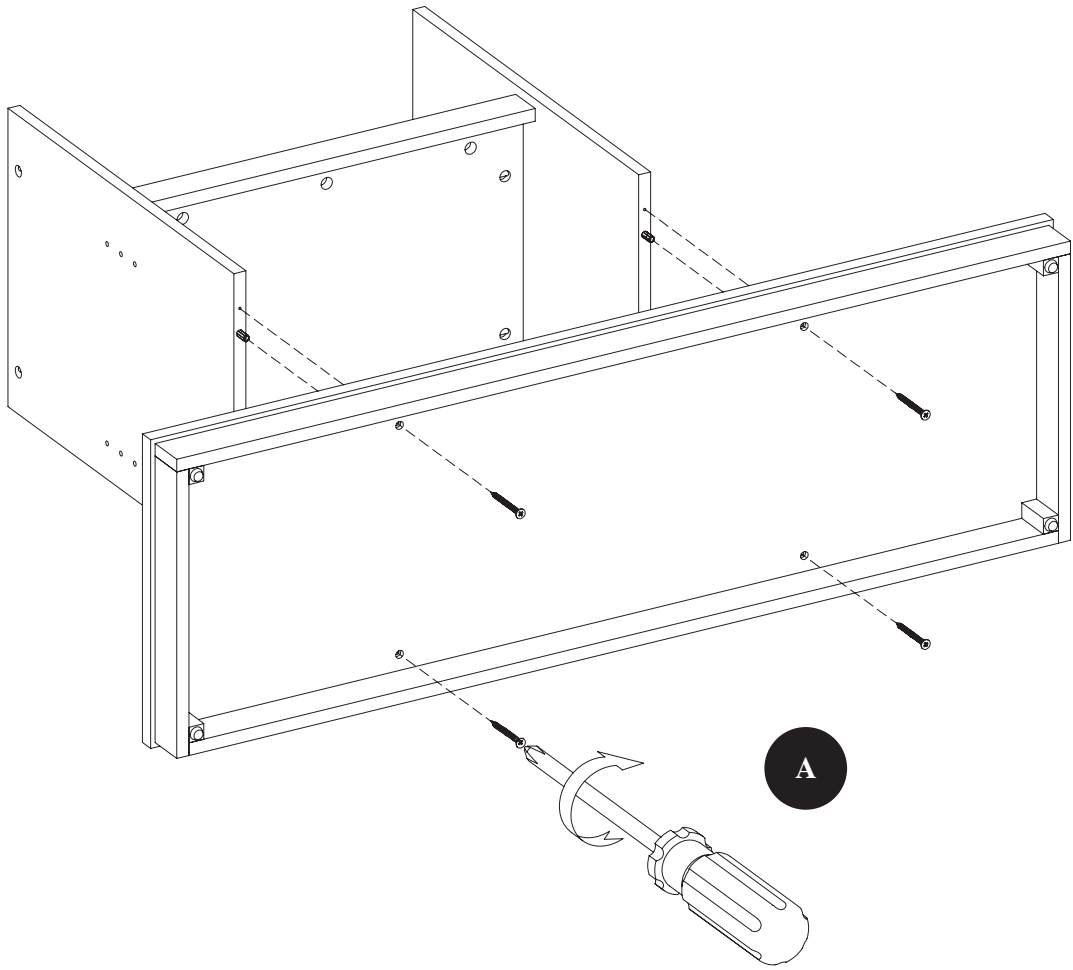


[x4]



[x4]

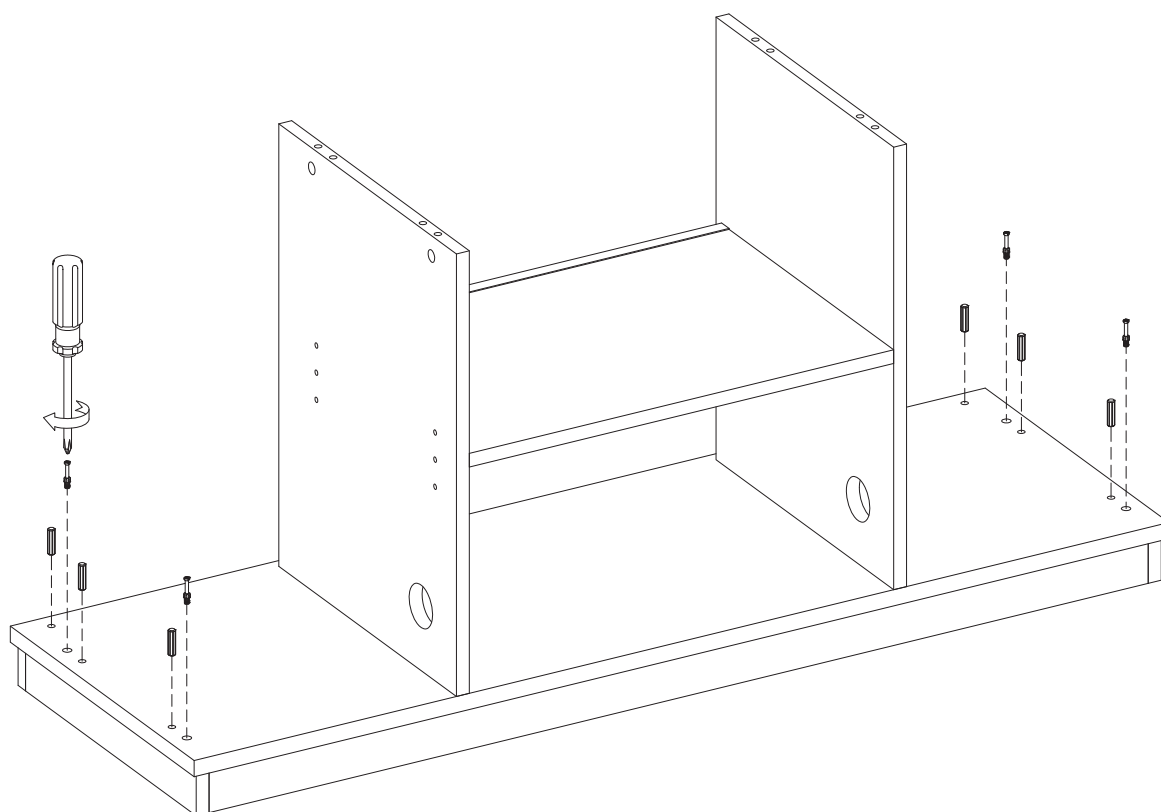
7



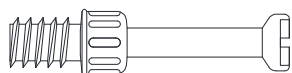
GG



[x4]



AA

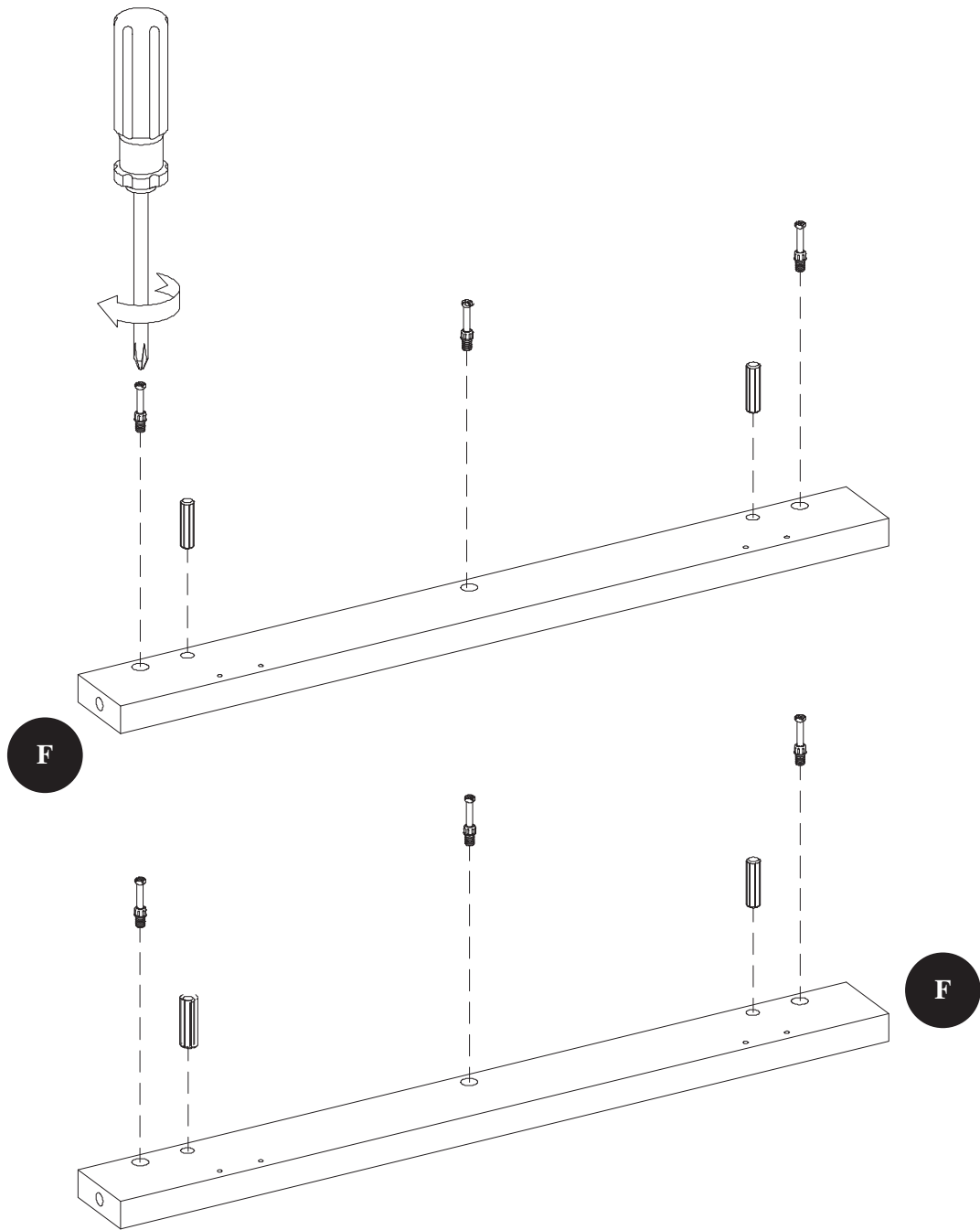


[x4]

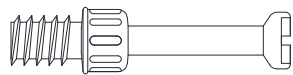
CC



[x6]



AA

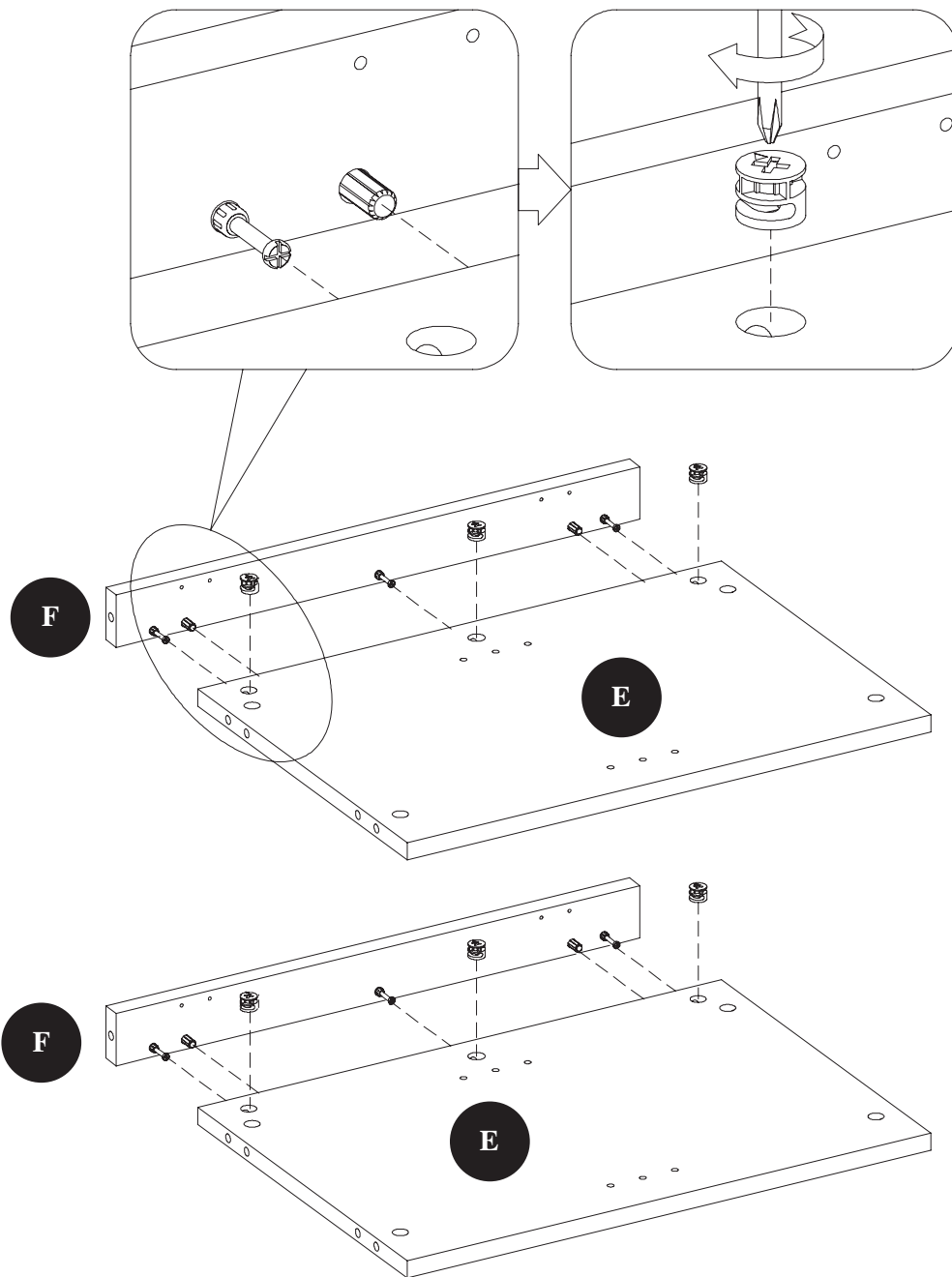


[x6]

CC



[x4]

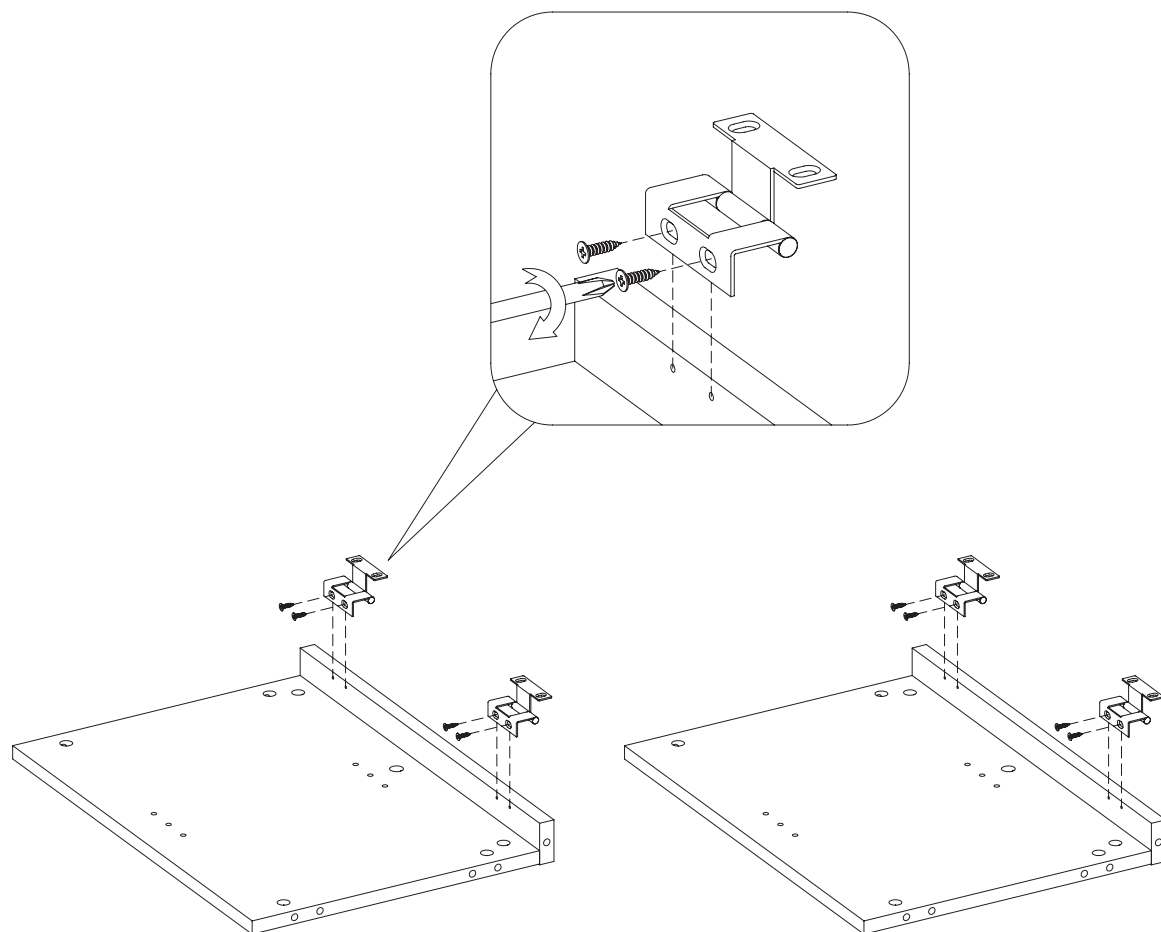


BB

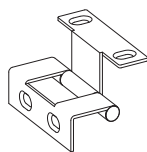


[x6]



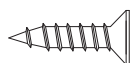


DD

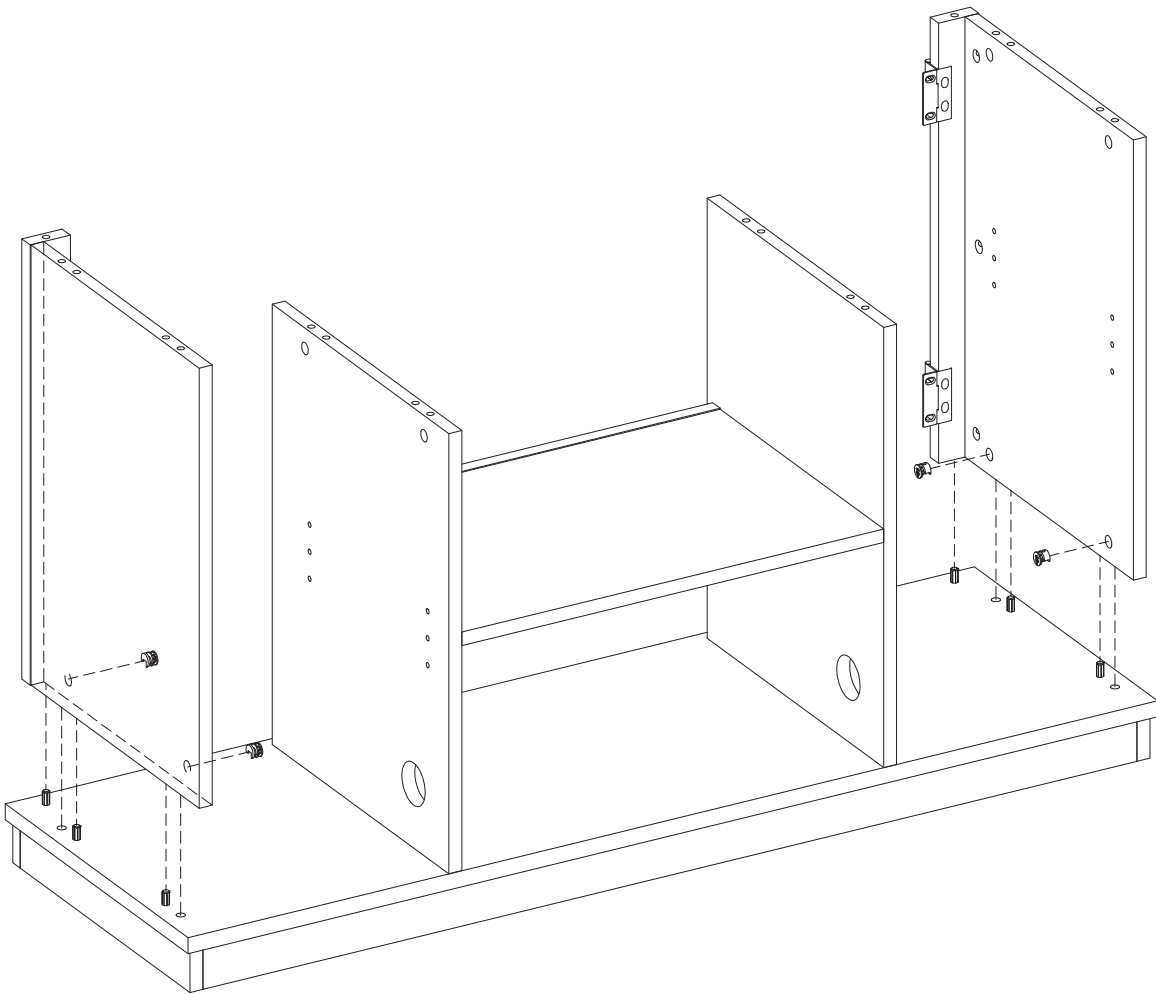
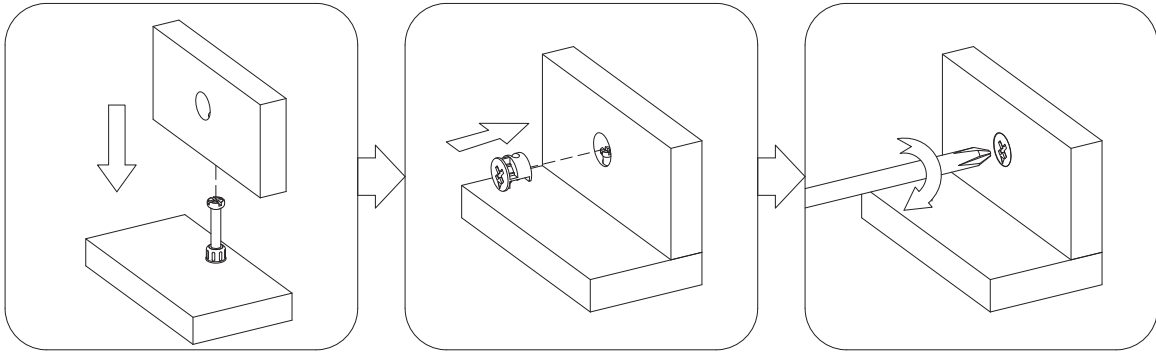


[x4]

HH



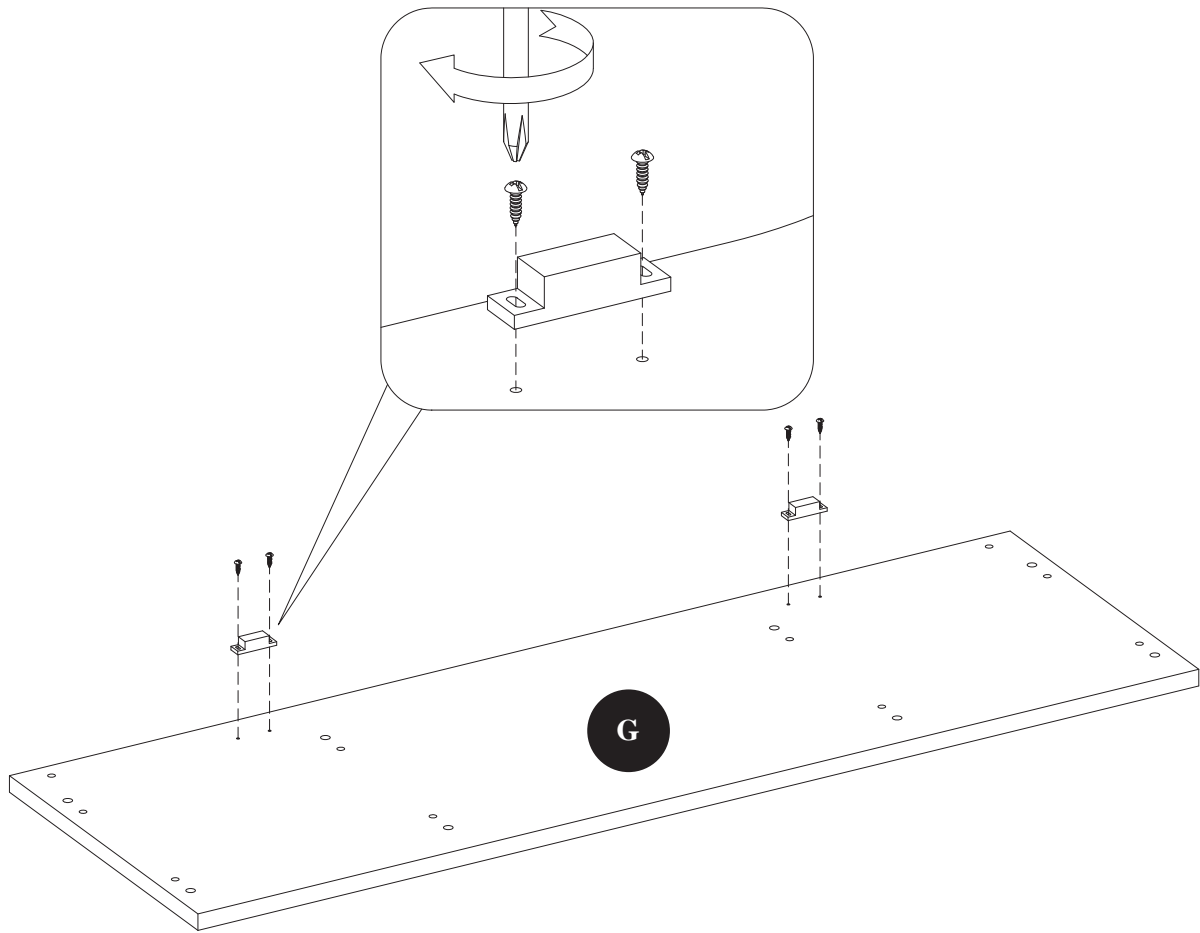
[x8]



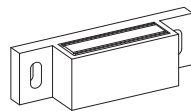
BB



[x4]



II

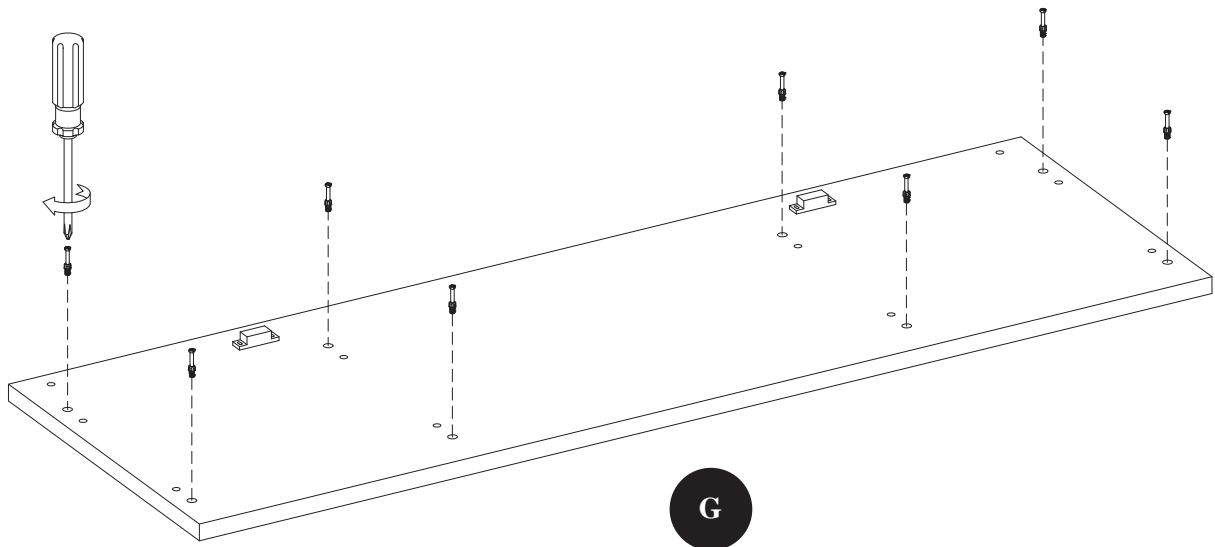


[x2]

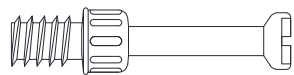
JJ



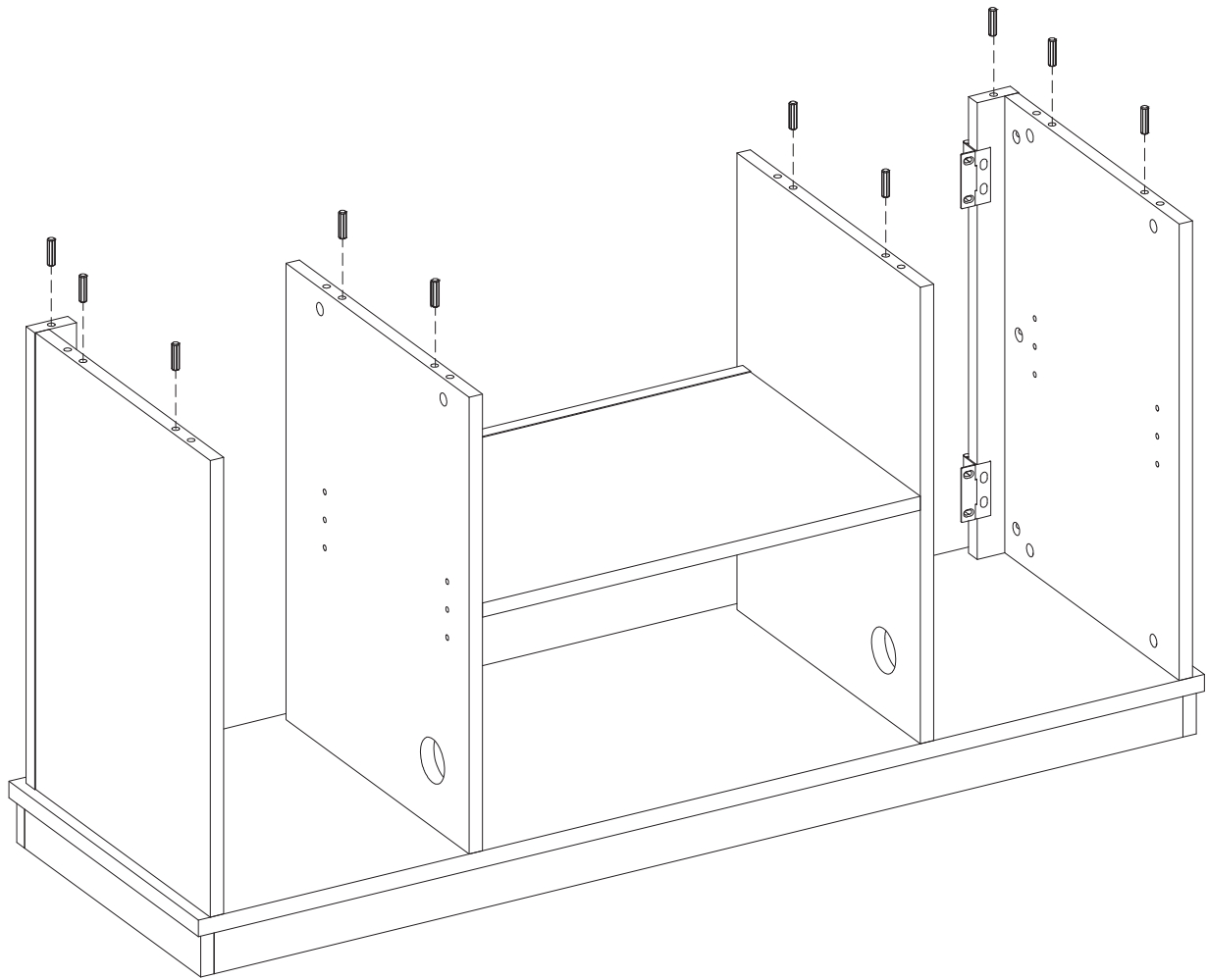
[x4]



AA

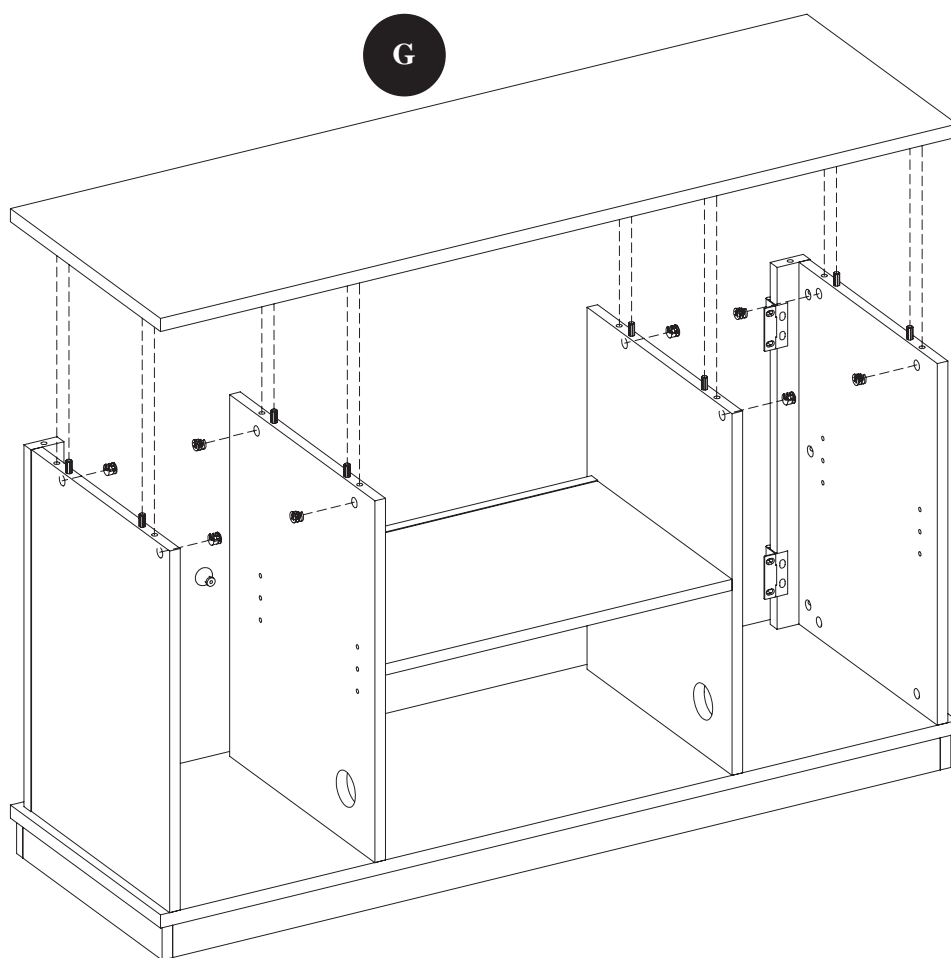
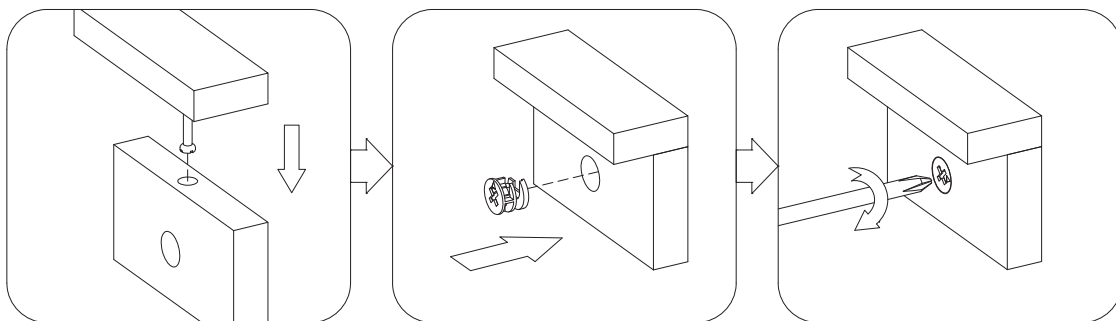


[x8]



[x10]

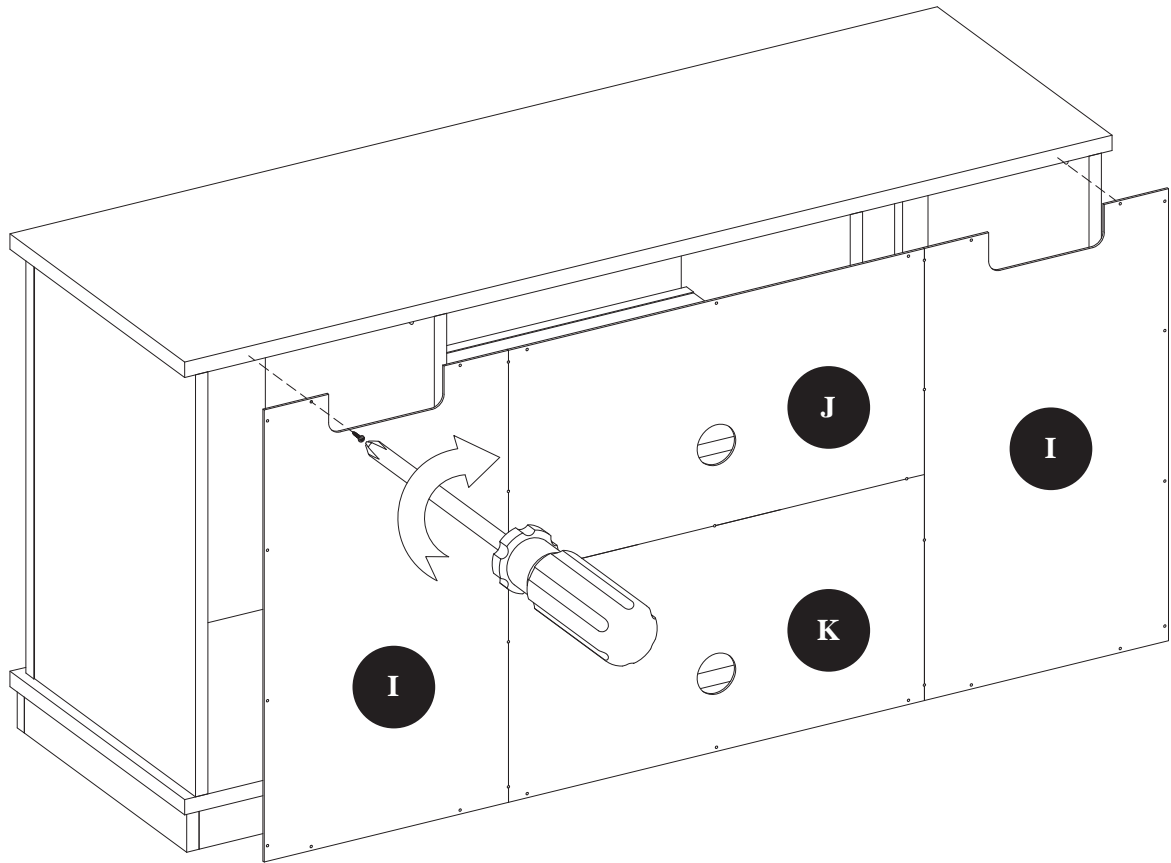
16



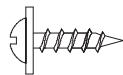
BB



[x8]

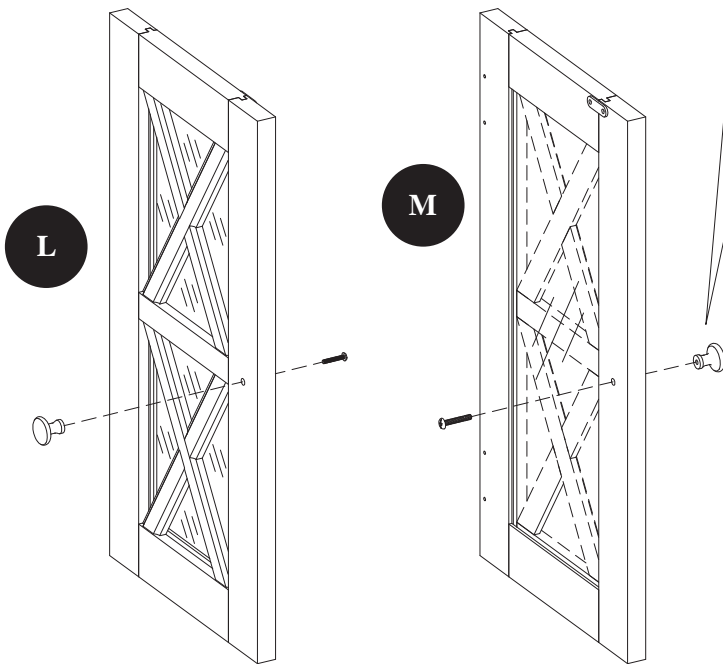
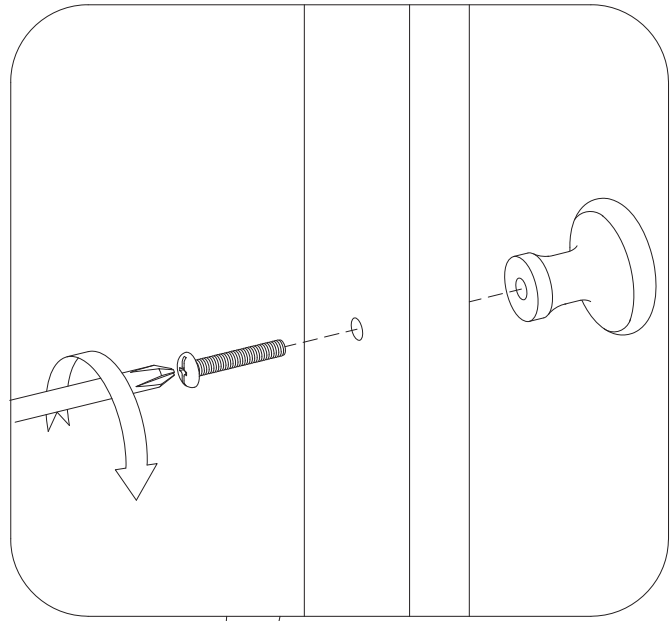


FF

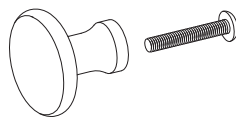


[x33]

18

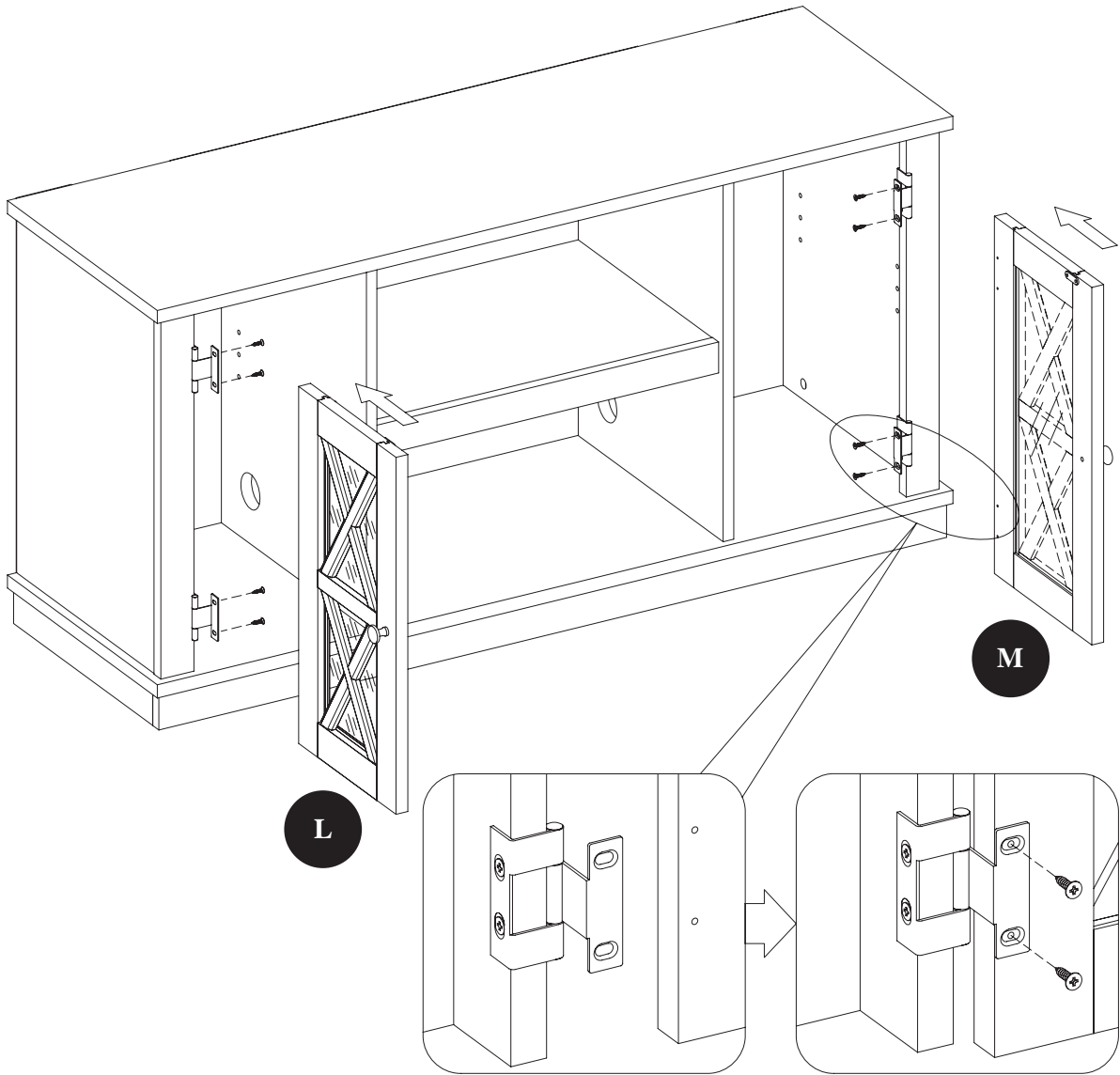


EE

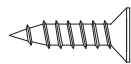


[x2]

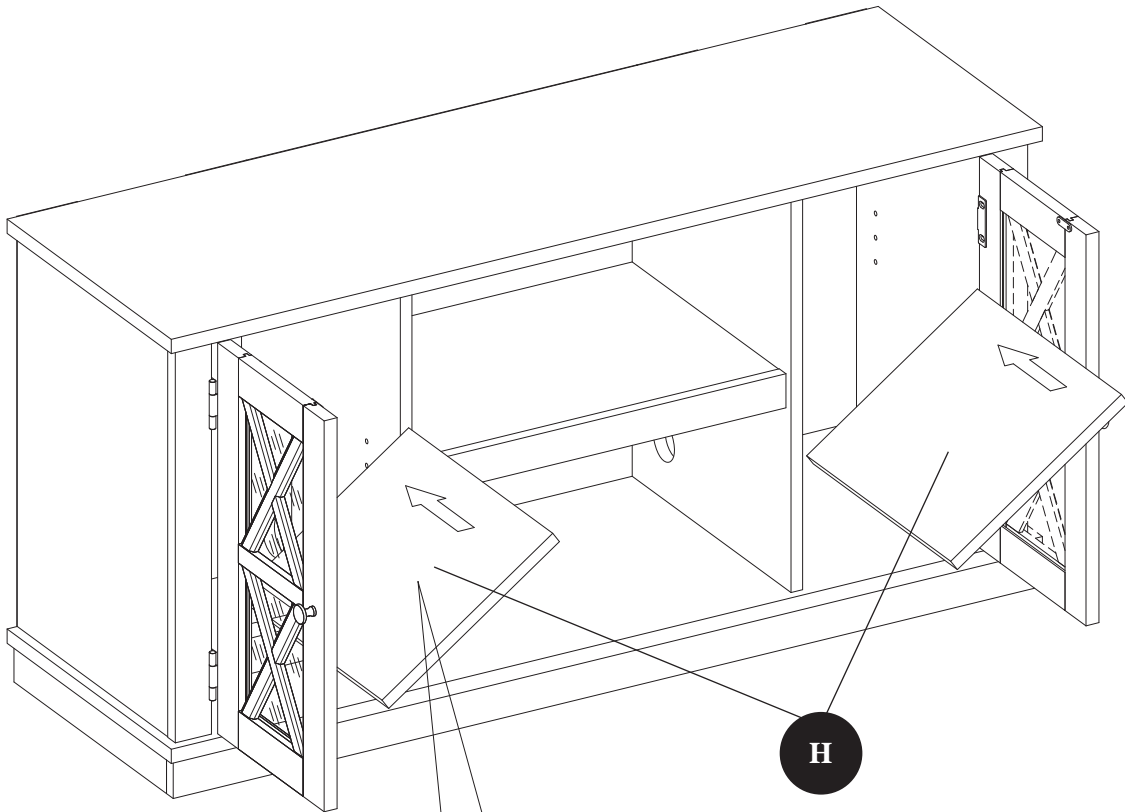




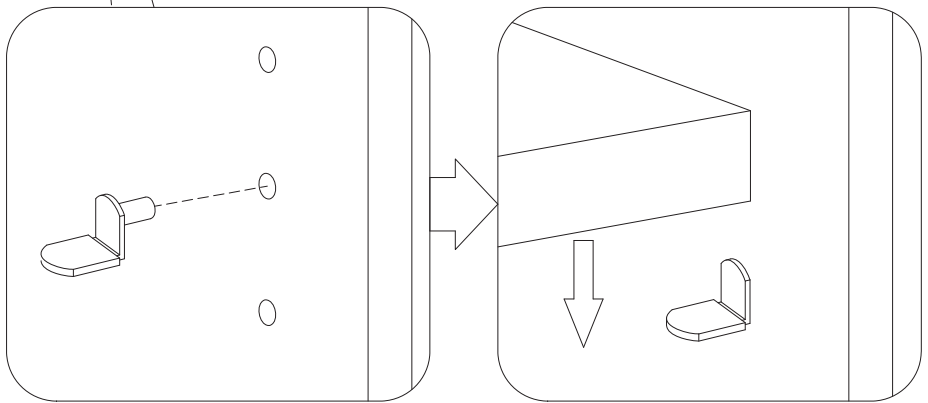
HH



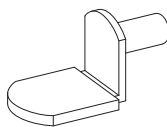
[x8]



H

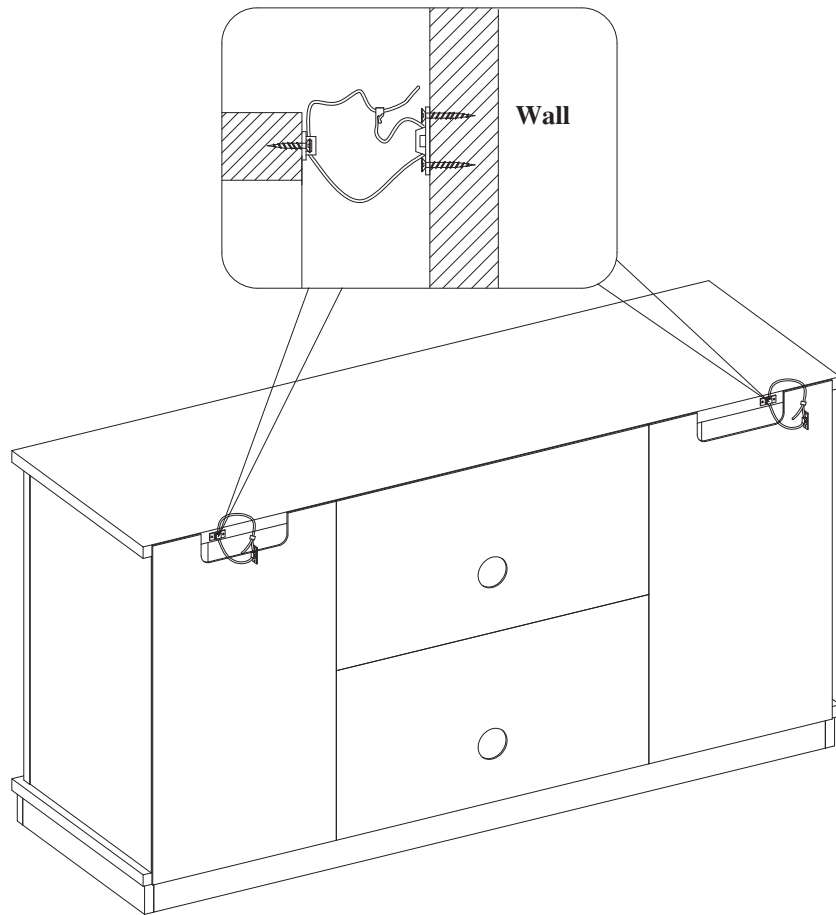


NN



[x8]

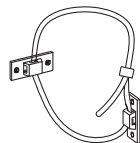
21



**WARNING:** You must install the tipping restraint hardware to help prevent any accidents or damage to the unit.

We strongly recommend mounting this hardware to a wall stud and your unit.

LL



[x2]

## CARE /MAINTENANCE

### Care and Maintenance

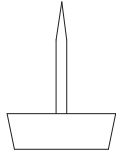
- Use a soft, clean cloth that will not scratch the surface when dusting
- Use of furniture polish is not necessary. Should you choose to use polish, test first in an inconspicuous area.
- Using solvents of any kind on your furniture may damage the finish.
- Never use water to clean your furniture as it may cause damage to the finish.
- Always use coasters under beverage glasses and flowerpots.
- Liquid spills should be removed immediately, as it may damage the furniture. Use a soft, clean cloth and blot the spill gently. Avoid rubbing.
- Always use protective pads under hot dishes and plates. Heat can cause chemical changes that may create spotting within the furniture.

### Further advice about wood furniture care

It is best to keep your furniture in a climate-controlled environment. Temperature and humidity changes can cause fading, warping, shrinking and splitting of wood. It is advised to keep furniture away from direct sunlight as sun may damage the finish. Proper care and cleaning at home will extend the life of your purchase. Following these important and helpful tips will enhance your furniture as it ages.

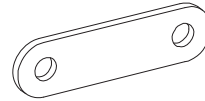
A touch-up pen has been provided to repair any small nicks or scratches that may occur during assembly or shipping. We hope you enjoy your purchase for many years. Thank you for your purchase!

# REPLACEMENT PARTS TC48-6092



**MM**

PH-GLDBRW001



**NN**

PH-PLTBLK001